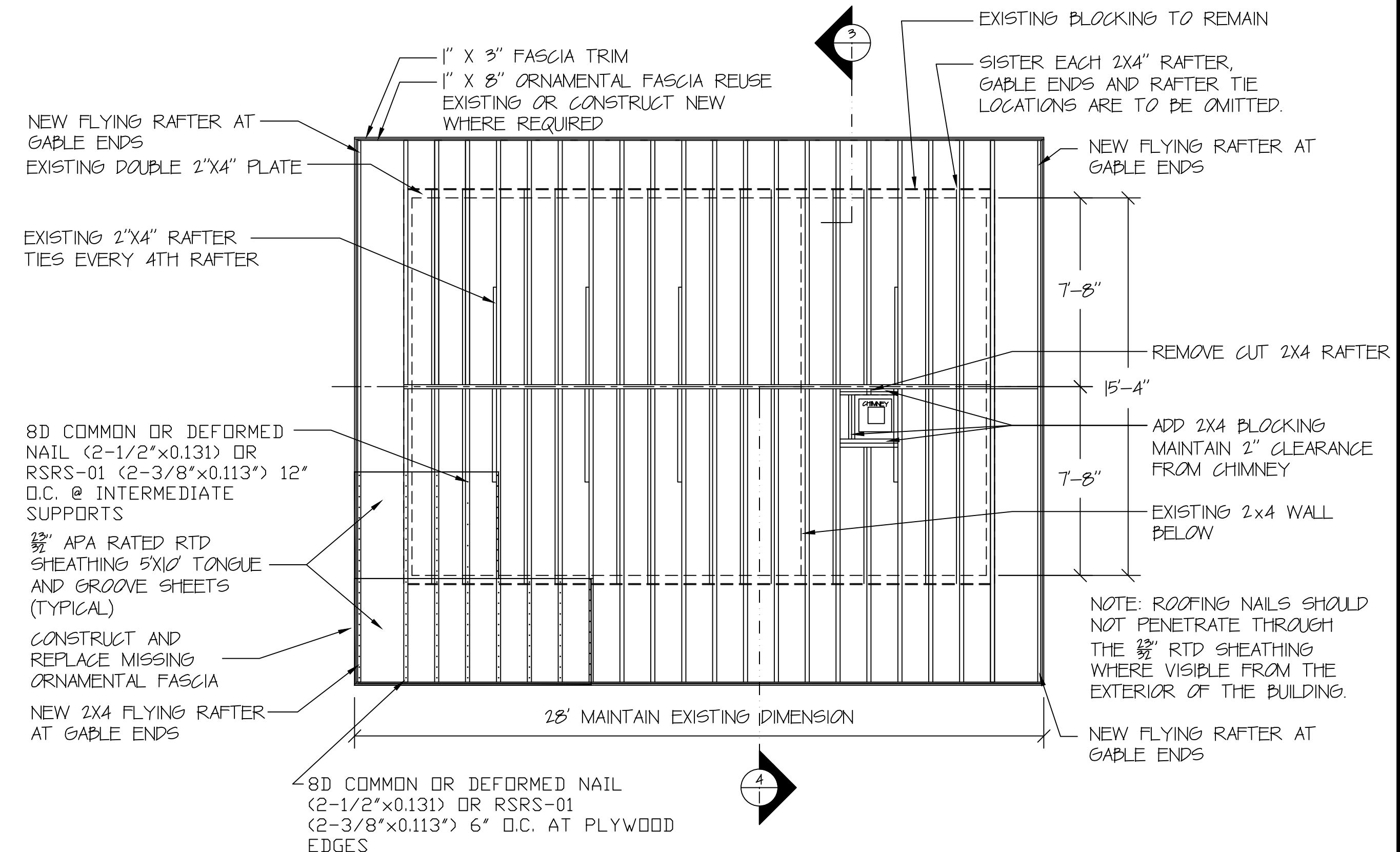
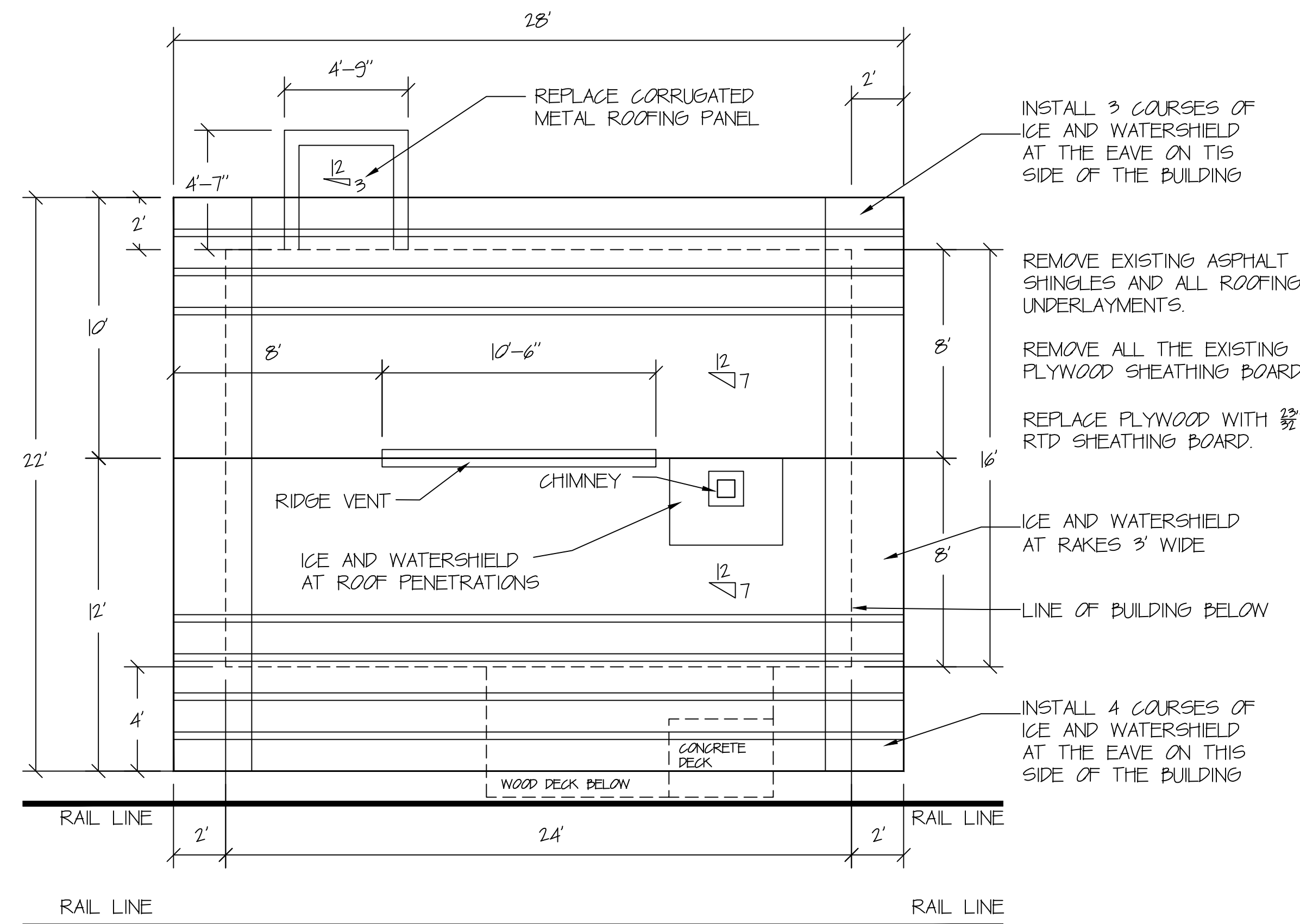
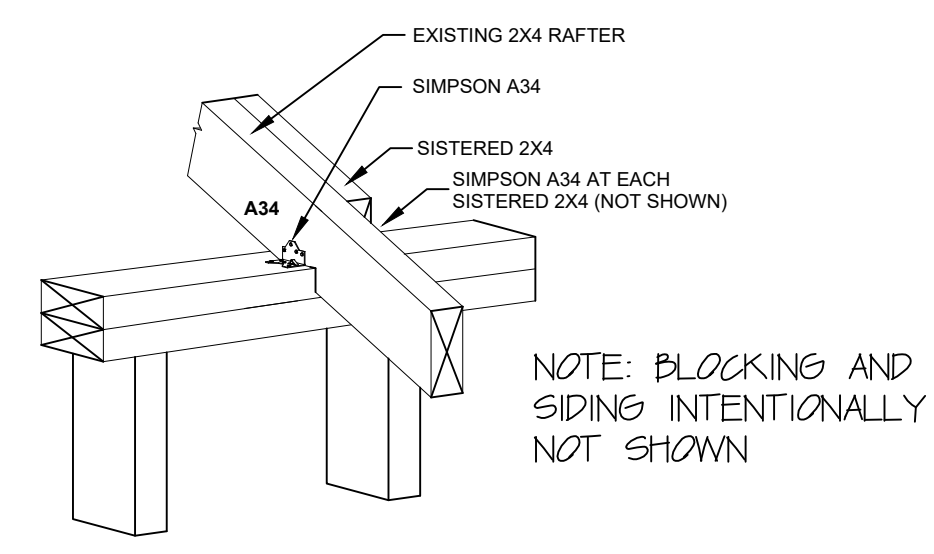


ASPHALT SHINGLE ROOF REPLACEMENT
 COTTON VALLEY RAIL TRAIL FERNALD STATION
 64 GOVERNOR WENTWORTH HIGHWAY ROUTE 109 WOLFEBORO, NH

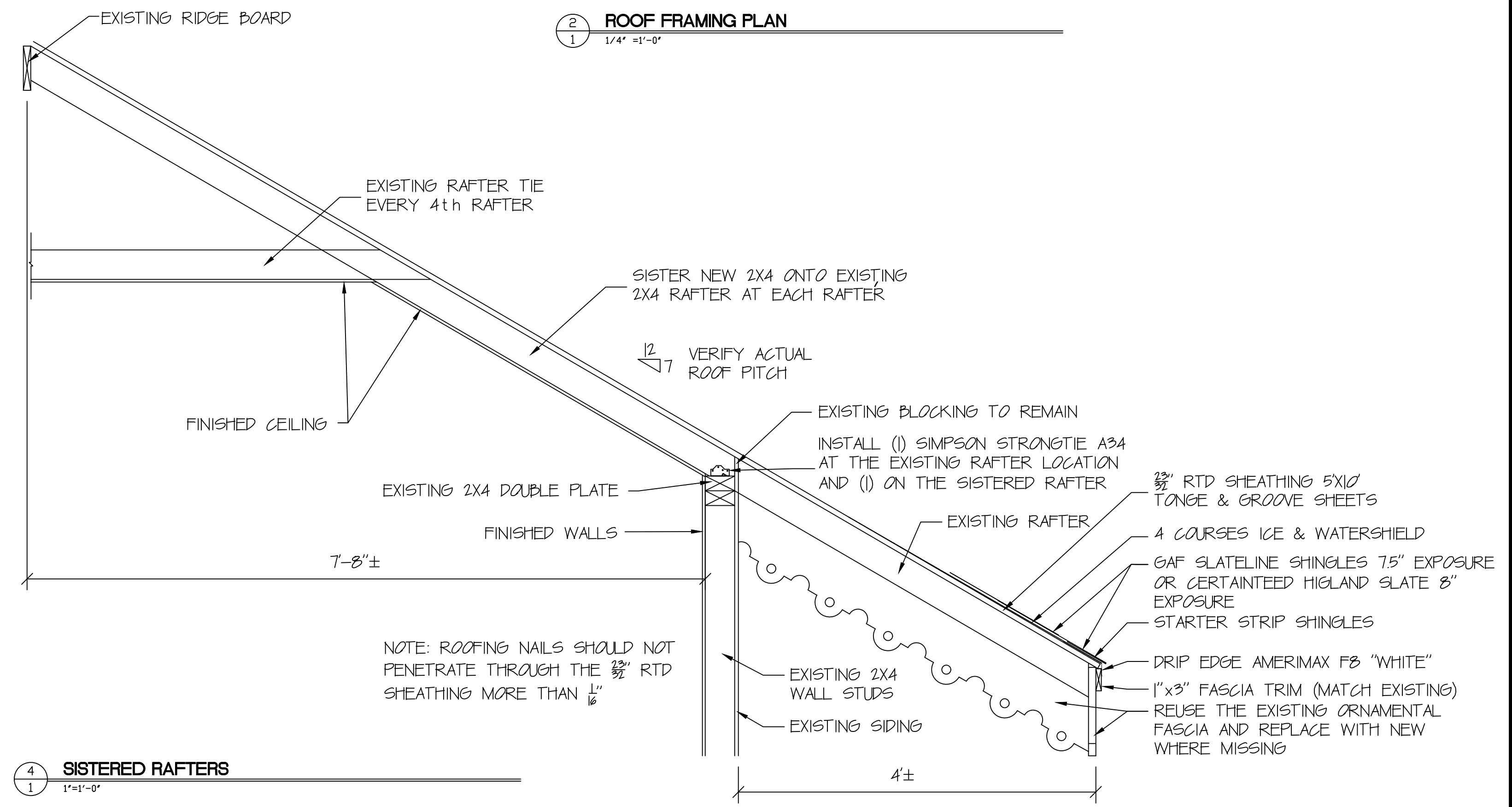


1 ROOF PLAN
 1/4" = 1'-0"

2 ROOF FRAMING PLAN
 1/4" = 1'-0"



3 ANGLE TIES • EACH RAFTER
 NOT TO SCALE



4 SISTERED RAFTERS
 1" = 1'-0"

- NOTES:
1. STRIP OF THE EXISTING ASPHALT SHINGLE ROOF AND UNDERLAYMENTS
 2. STRIP OFF ALL SHEATHING BOARDS
 3. INSTALL 2X4 SISTERED RAFTERS
 4. INSTALL 5/8" RTD SHEATHING
 5. INSTALL ALUMINUM DRIP EDGE
 6. INSTALL ICE & WATERSHIELD
 7. INSTALL ROOF UNDERLAYMENT
 8. INSTALL ASPHALT SHINGLES
 9. REPOINT THE CHIMNEY
 10. PROVIDE REQUIRED WARRANTIES

PROJECT #	CAP-2143
DATE	JAN 24, 2022
APPROVED BY:	EDWARD MUSSEY
DRAWN BY:	EDWARD MUSSEY
SCALE	1/4" = 1'-0"



STATE OF NEW HAMPSHIRE
 DEPARTMENT OF NATURAL AND CULTURAL RESOURCES
 OPERATIONS PLANNING & PROJECT MANAGEMENT
 COTTON VALLEY RAIL TRAIL
 WOLFEBORO, NEW HAMPSHIRE