

SHINGLE INSTALLATION
Start at either rake and lay in either direction

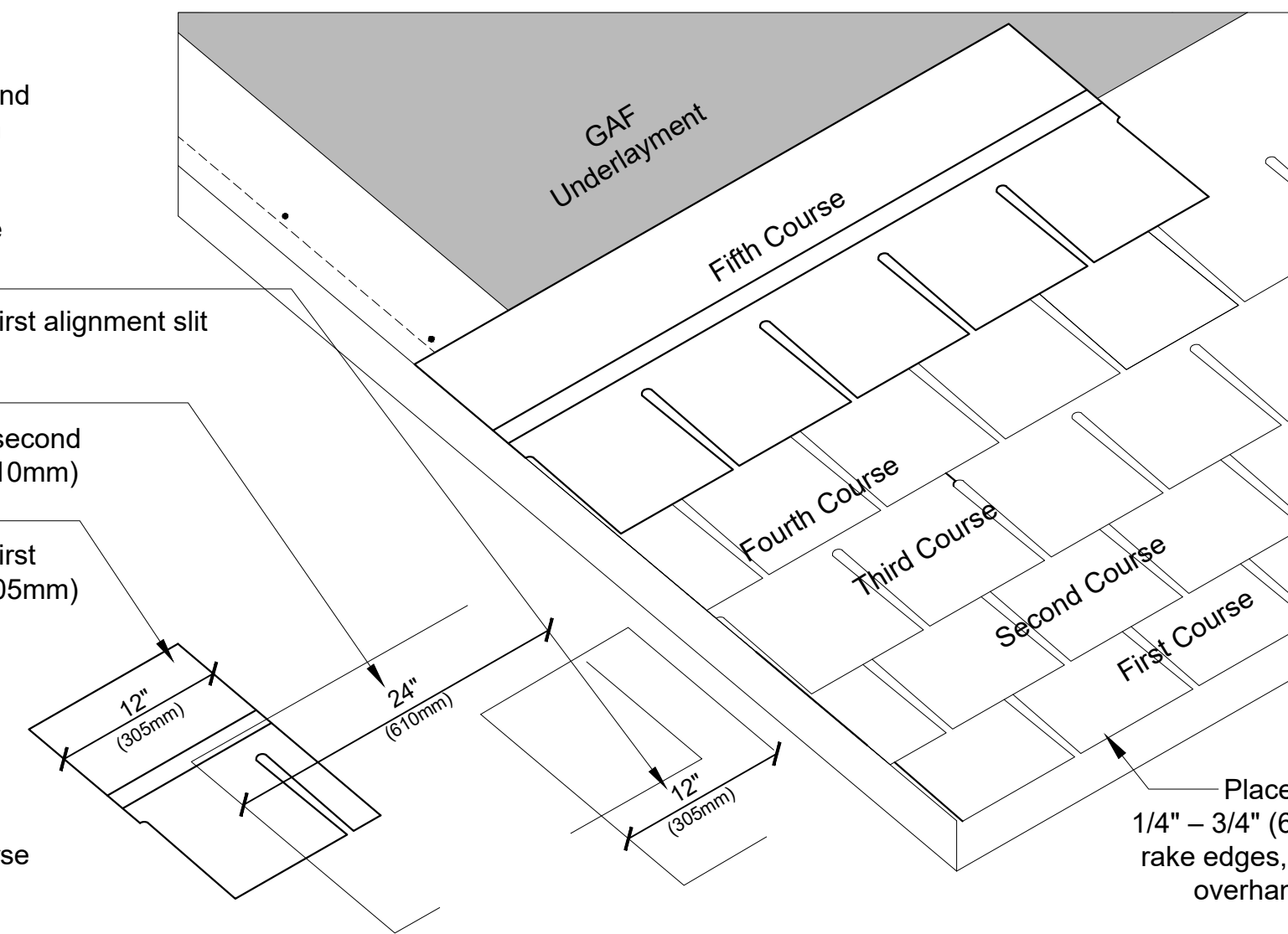
First Course:
Start with full shingle

Second Course:
Trim first shingle at first alignment slit 12" (305mm)

Third Course:
Trim first shingle at second alignment slit 24" (610mm)

Fourth Course:
Trim first shingle at first alignment slit 12" (305mm)

Remaining Courses:
Repeat the 1st - 4th course instructions on the remaining courses, starting the fifth course with a full shingle.



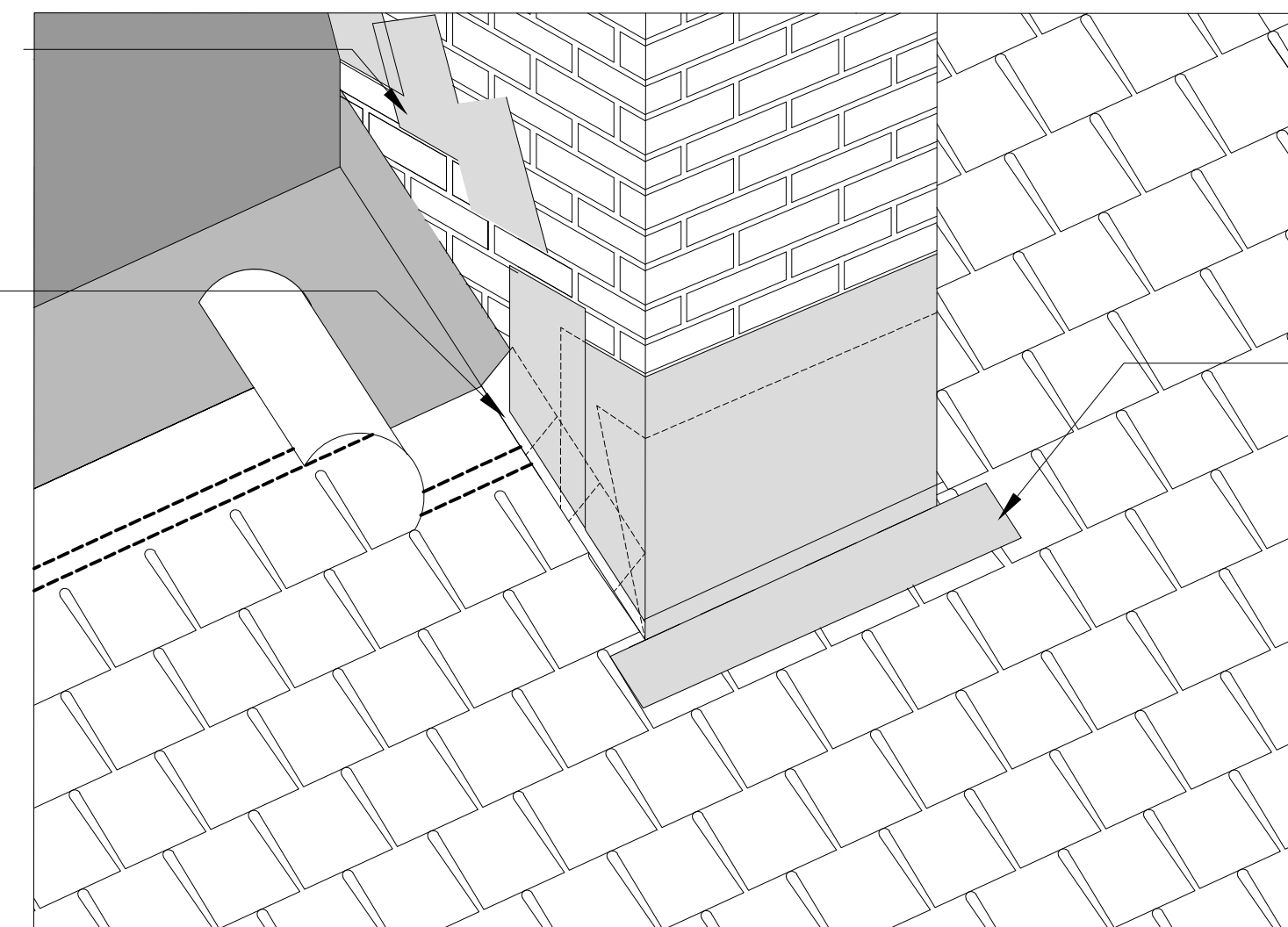
- NOTES:**
1. Continue each course with whole shingles.
 2. Strike a chalk line about every 6 courses to check parallel alignment with eaves.

Place first course of shingles 1/4" - 3/4" (6-19mm) over eave and rake edges, covering starter course overhang, to provide drip edge.

1 SHINGLE INSTALLATION DETAILS
2 NDT TO SCALE

Extend lead counter flashing over base flashing.

Use one piece metal non-corroding step flashing for each course. Seal overlying shingles to step flashing with asphalt plastic cement.



2 CHIMNEY FLASHING DETAIL
2 NDT TO SCALE

- NOTES:**
1. STRIP OF THE EXISTING ASPHALT SHINGLE ROOF AND UNDERLAYMENTS.
 2. INSPECT AND REPAIR SHEATHING BOARDS.
 3. IF REQUIRED BY THE PROJECT MANAGER INSTALL 1/2" RTD SHEATHING OVER ROOF DECK AS DIRECTED.
 4. INSTALL ALUMINUM DRIP EDGE.
 5. INSTALL ICE & WATERSHIELD.
 6. INSTALL ROOF UNDERLAYMENT.
 7. INSTALL ASPHALT SHINGLE.
 8. PROVIDE REQUIRED WARRANTIES.

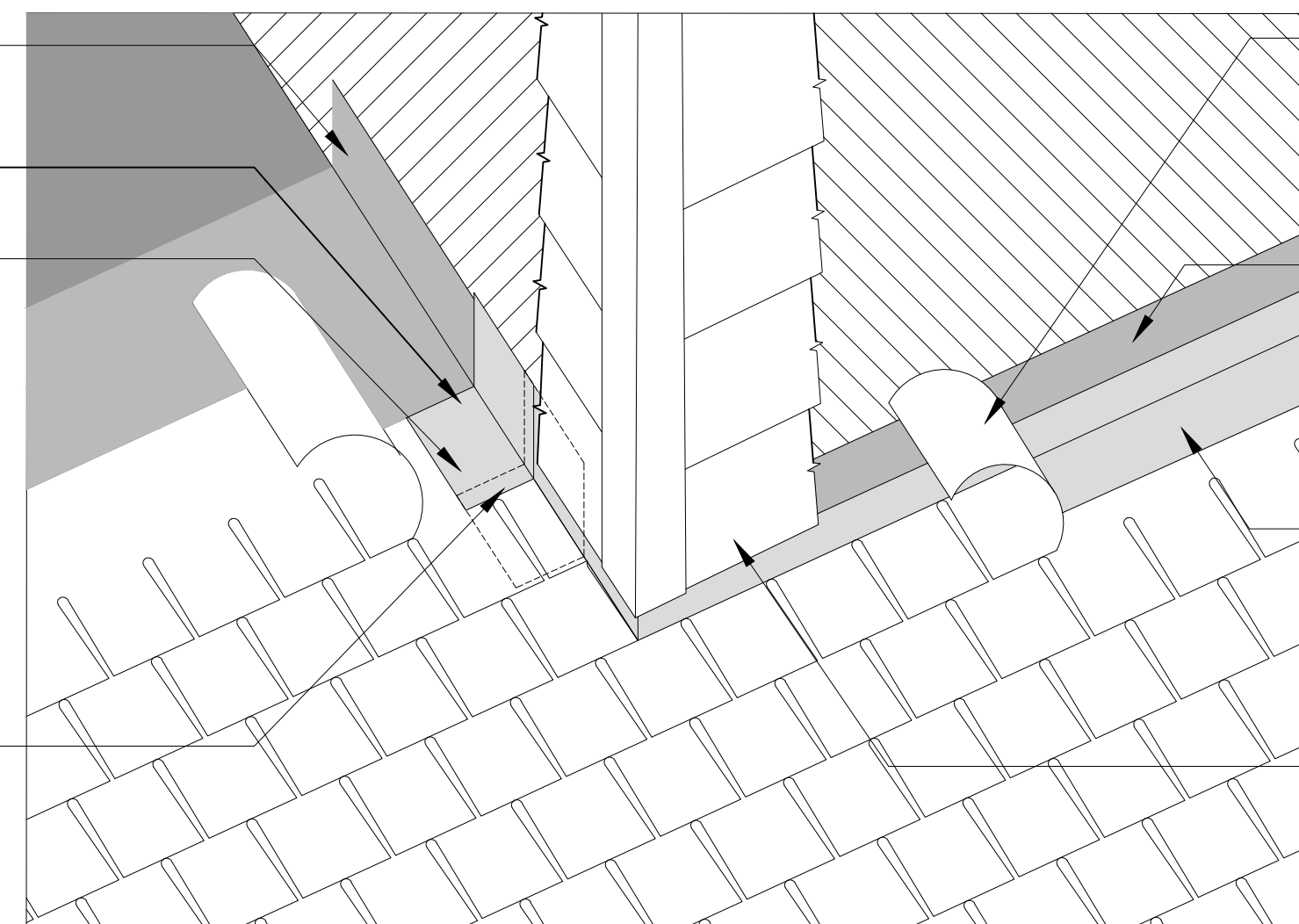
PROJECT # CAP-2140
DATE: NOV 1, 2021
APPROVED BY: EDWARD MUSSEY
SCALE: 1/4" = 1'-0"



STATE OF NEW HAMPSHIRE
DEPARTMENT OF NATURAL AND CULTURAL RESOURCES
OPERATIONS PLANNING & PROJECT MANAGEMENT
ROCKINGHAM RECREATIONAL TRAIL
FREEMONT, NEW HAMPSHIRE

Extend GAF leak barrier at least 5" (127mm) up wall.
2 nails per step flashing
Place metal step flashing just upslope from exposed edge of shingle and extend 5" (127mm) over underlying shingle and 5" (127mm) up the vertical wall.

Step flashing pieces overlap each other 2" (51mm)



Cover metal flashing with cut shingle. Do NOT nail shingle. install with asphaltic plastic cement.

Extend GAF leak barrier at least 5" (127mm) up wall

Metal flashing (Nailed to the deck, NOT to the vertical wall) extend up wall at least 5" (127mm)

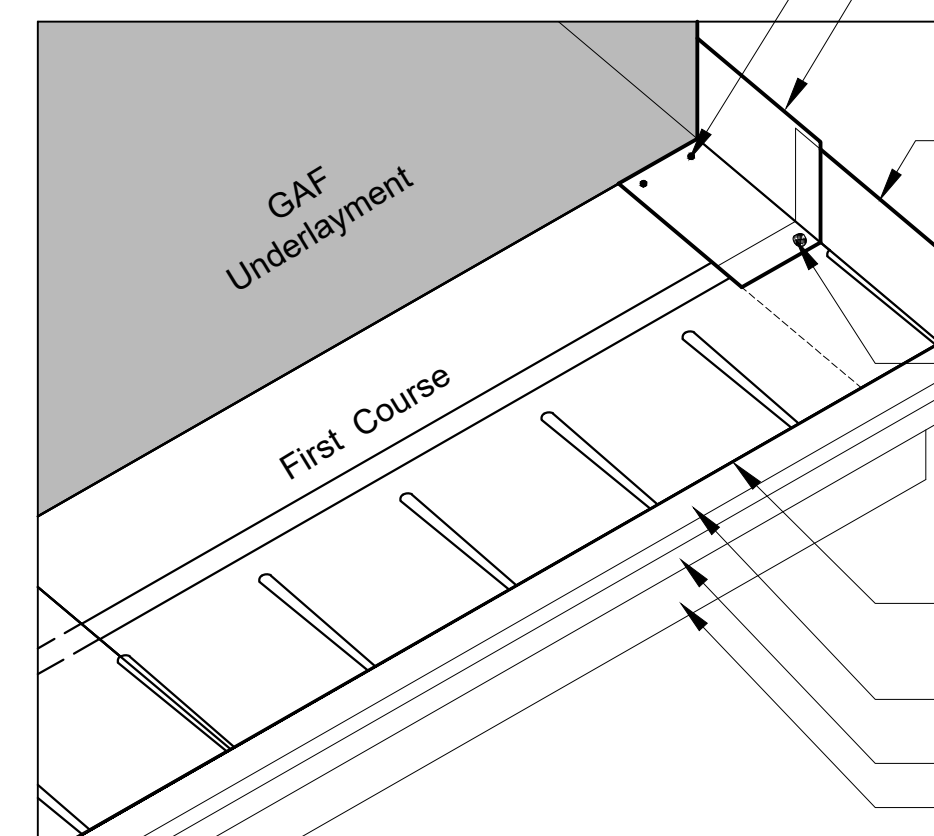
Siding/cladding must be at least 2" (51mm) above the roof surface and covering flashing at least 2" (51mm).

3 SIDEWALL FLASHING DETAIL (TYPICAL)
2 NDT TO SCALE

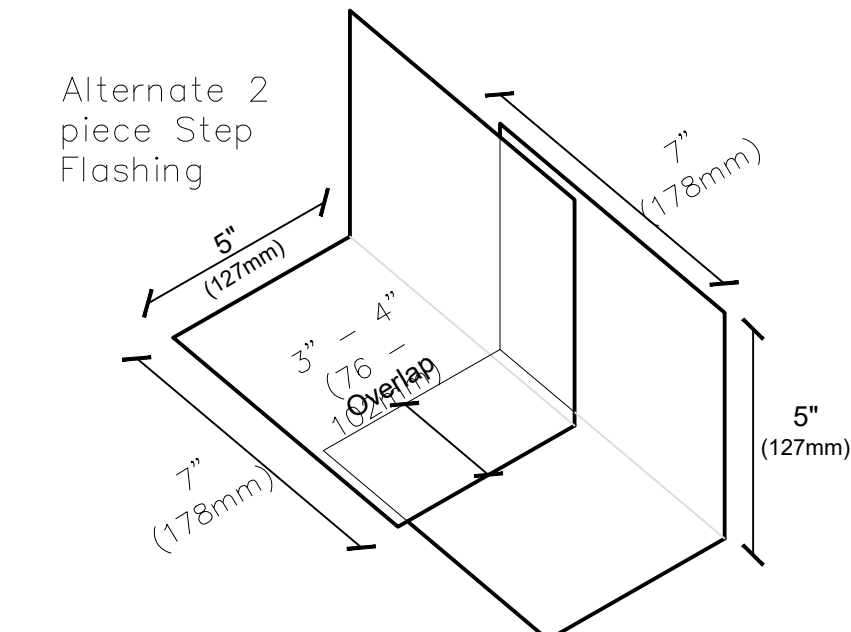
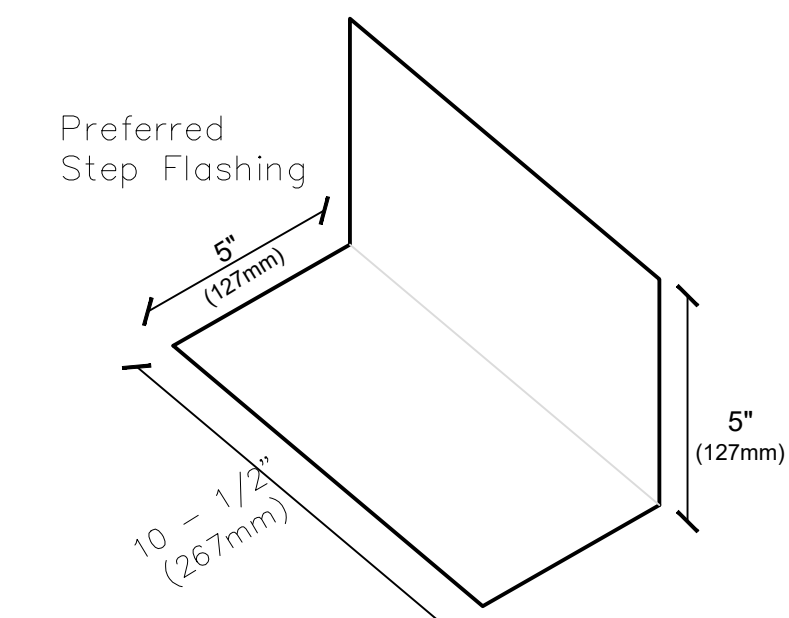
2 nails as shown 1" - 2" (25-51mm) from top. Install for 2 piece of step flashing to fully cover top half of each shingle. First course of step flashing under shingle as shown.

Set next shingle in a quarter-sized dab of plastic cement

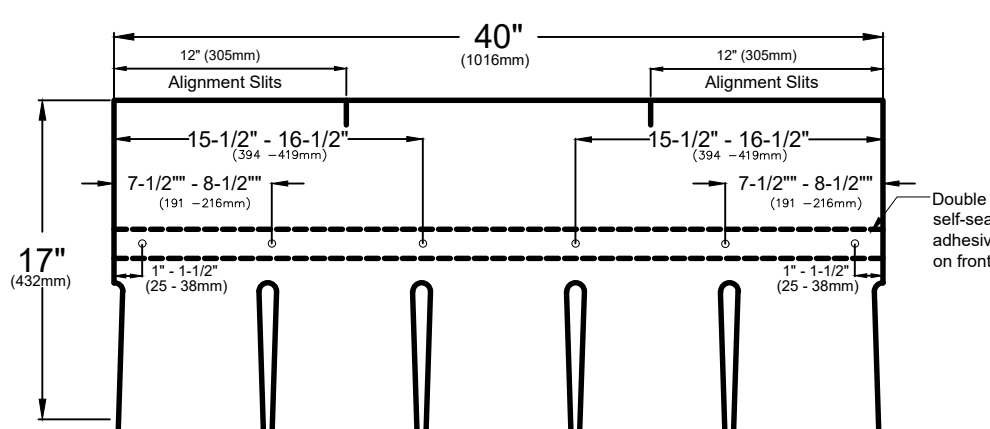
Starter shingles at eaves
Dripedge
Fascia trim
Fascia



4 STEP FLASHING DETAIL
2 NDT TO SCALE



These shingles MUST be nailed a nominal 9" (229mm) from bottom of tabs as shown. Nails must not be exposed.



STANDARD NAILING PATTERN - six nails per shingle

5 STANDARD NAILING PATTERN
2 NDT TO SCALE