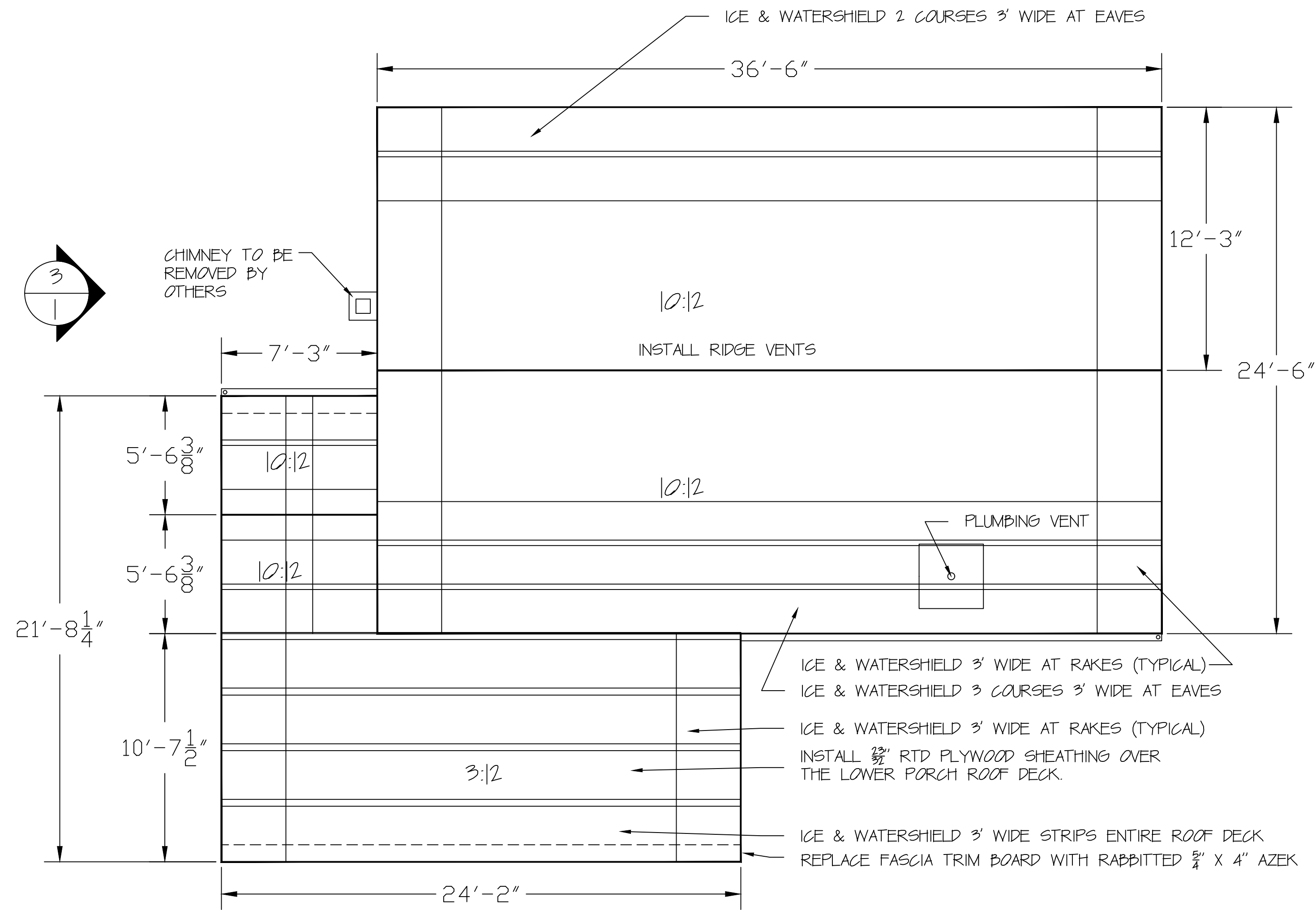
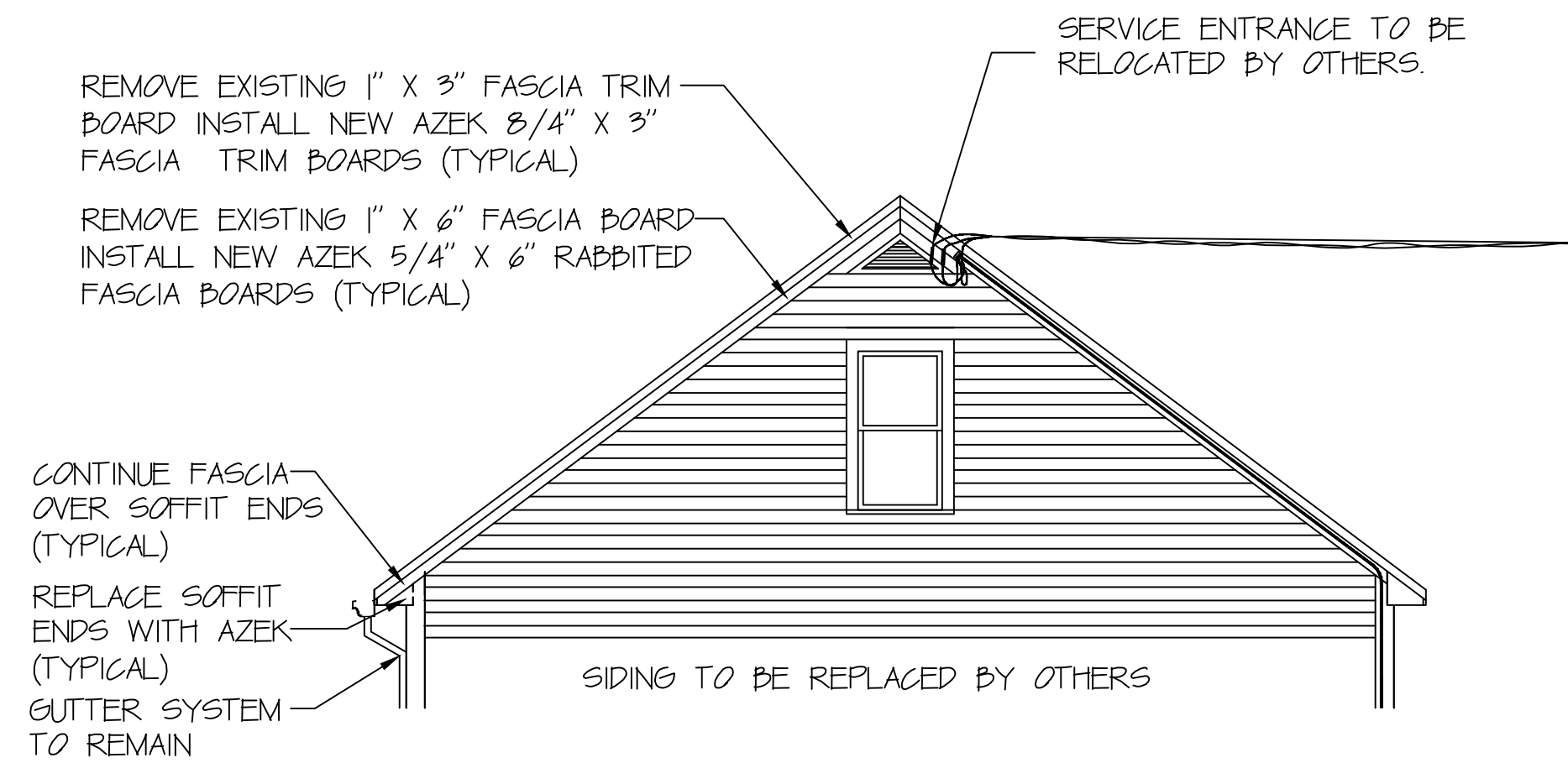


ASPHALT SHINGLE ROOF REPLACEMENT RESIDENCE AT TAYLOR MILL BALLARD STATE FOREST 242 ISLAND POND RD. DERRY, NH

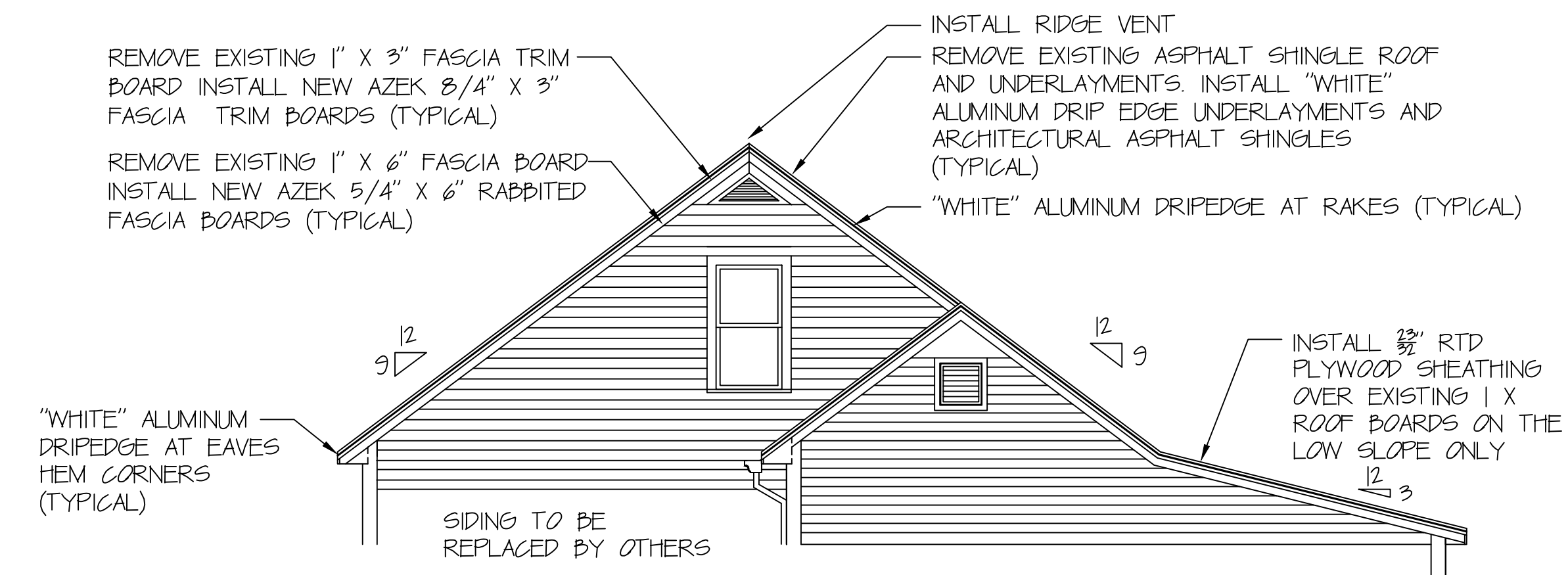
- NOTES:
1. STRIP AND REMOVE ALL ASPHALT SHINGLE ROOFING MATERIALS.
 2. INSPECT AND REPAIR WOOD ROOF DECK.
 3. INSTALL 3/4" RTD SHEATHING OVER ENTIRE LOW SLOPE ROOF DECK.
 4. REPLACE FASCIA BOARDS AND FASCIA TRIM BOARDS WITH AZEK.
 5. INSTALL ALUMINUM DRIP EDGE.
 6. INSTALL ICE & WATERSHIELD.
 7. INSTALL 3/8" FELT OR SYNTHETIC ROOF UNDERLAYMENT OVER ENTIRE ROOF DECK.
 8. INSTALL ASPHALT SHINGLES AND RIDGE CAP SHINGLES.



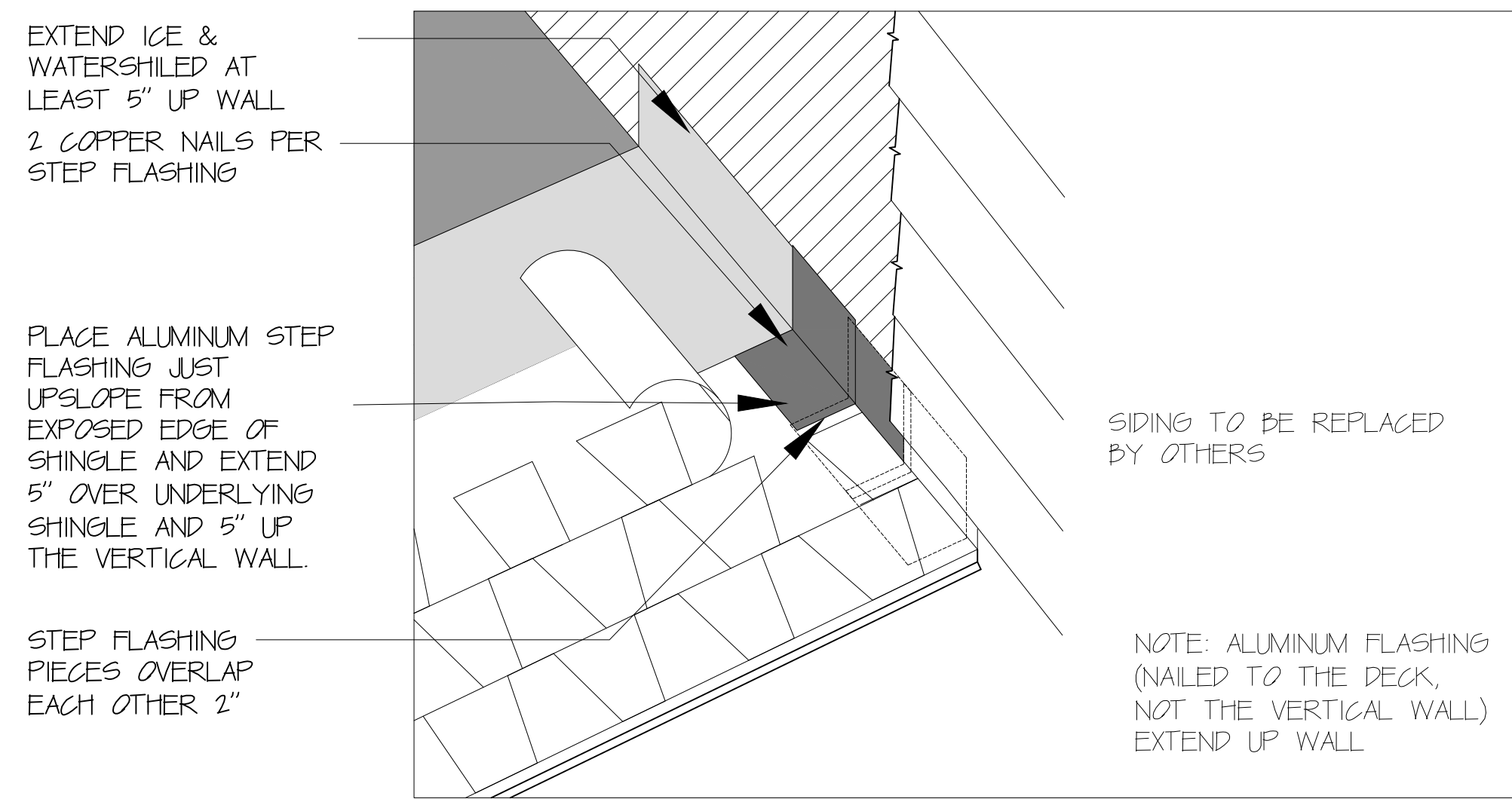
1 RESIDENCE (TAY02) ROOF PLAN
1/4"=1'-0"



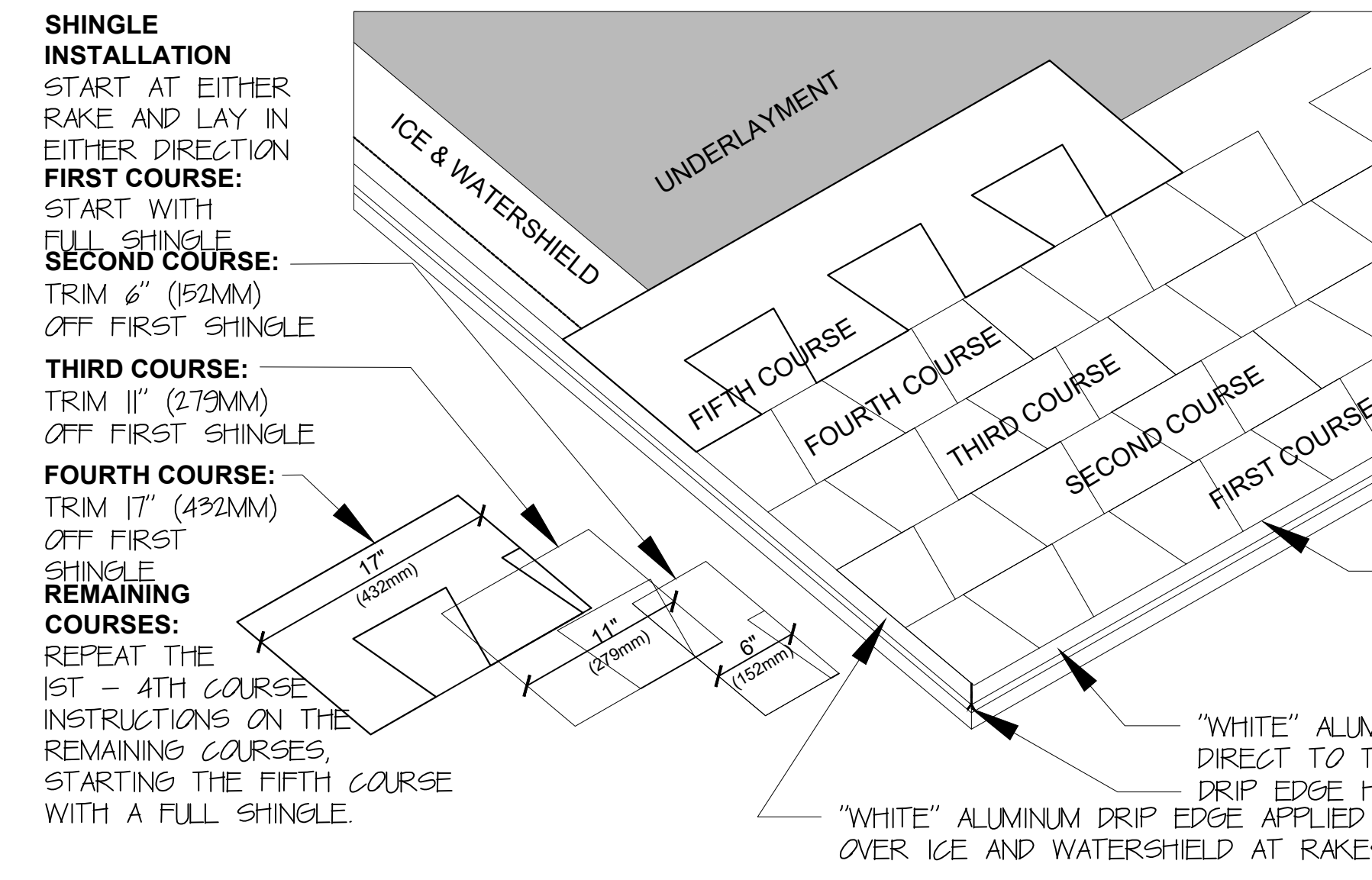
2 SOUTH SIDE OF BUILDING
1/4"=1'-0"



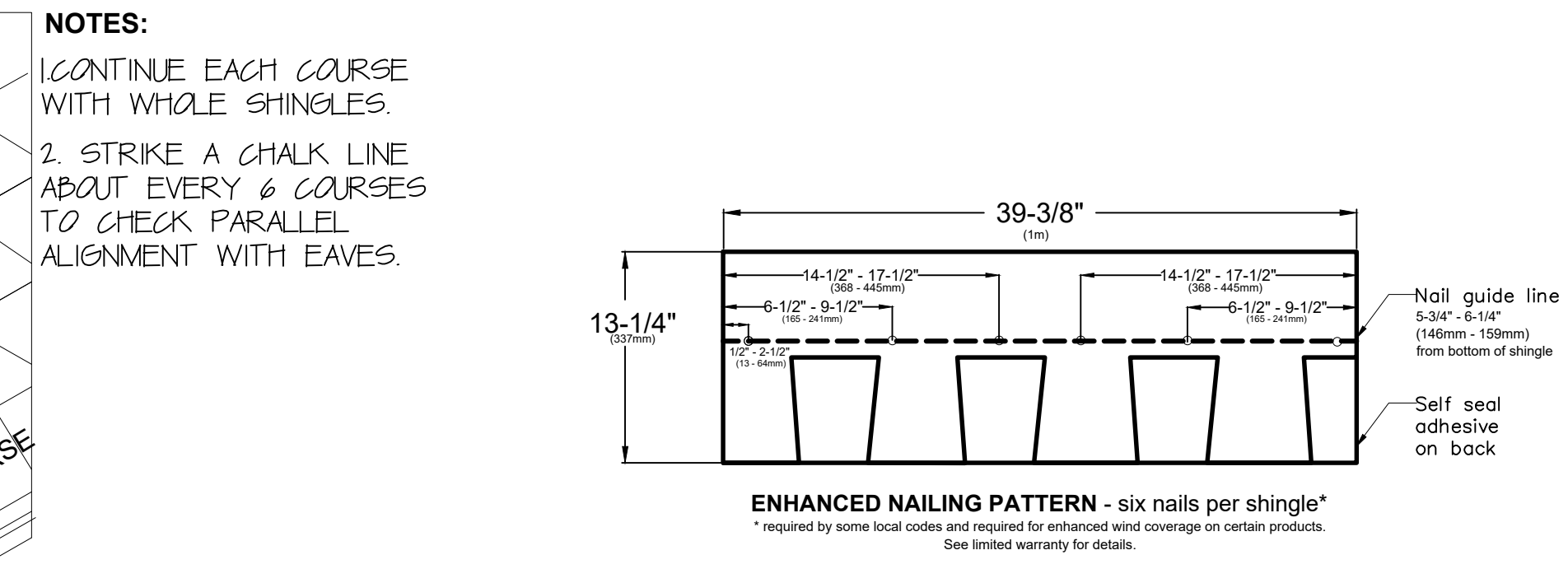
3 NORTH SIDE OF BUILDING
1/4"=1'-0"



4 SIDEWALL FLASHING DETAIL (TYPICAL)
NOT TO SCALE



5 SHINGLE INSTALLATION DETAILS
NOT TO SCALE



6 ENHANCED NAILING PATTERN
NOT TO SCALE

ASPHALT SHINGLE ROOF REPLACEMENT MANAGERS RESIDENCE	DATE	DEC 14, 2021
	PROJECT #	CAP-2142
APPROVED BY:	SCALE	1/4"=1'-0"
	DRAWN BY:	ED MUSSEY



STATE OF NEW HAMPSHIRE
DEPARTMENT OF NATURAL AND CULTURAL RESOURCES
PLANNING AND DEVELOPMENT SECTION
BALLARD STATE FOREST
RYE, NEW HAMPSHIRE