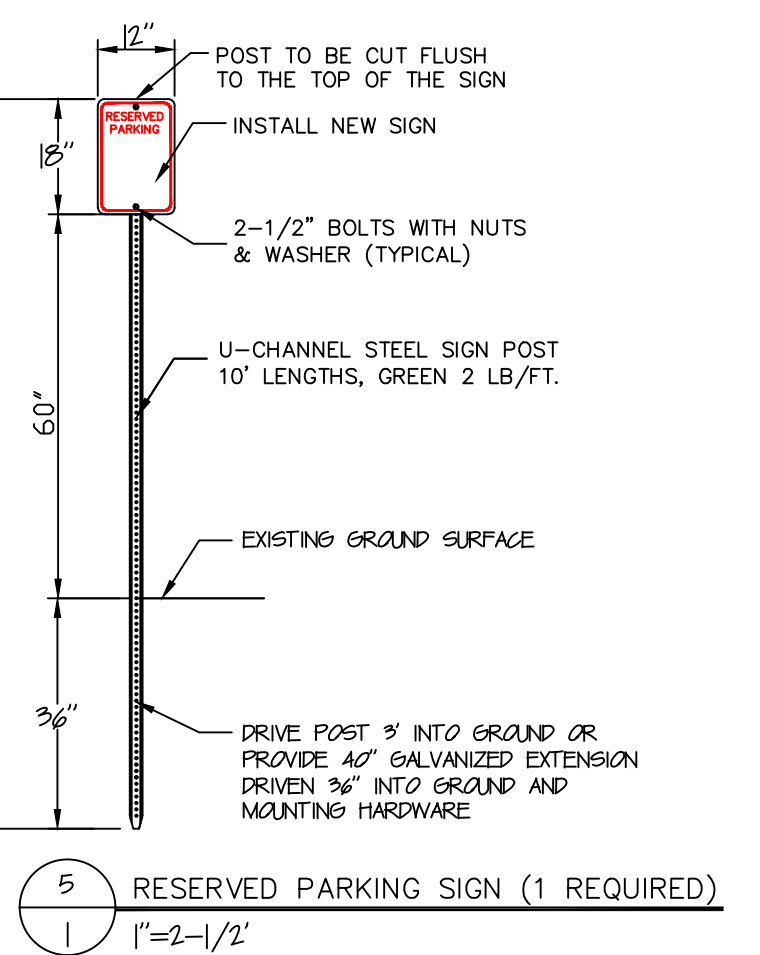
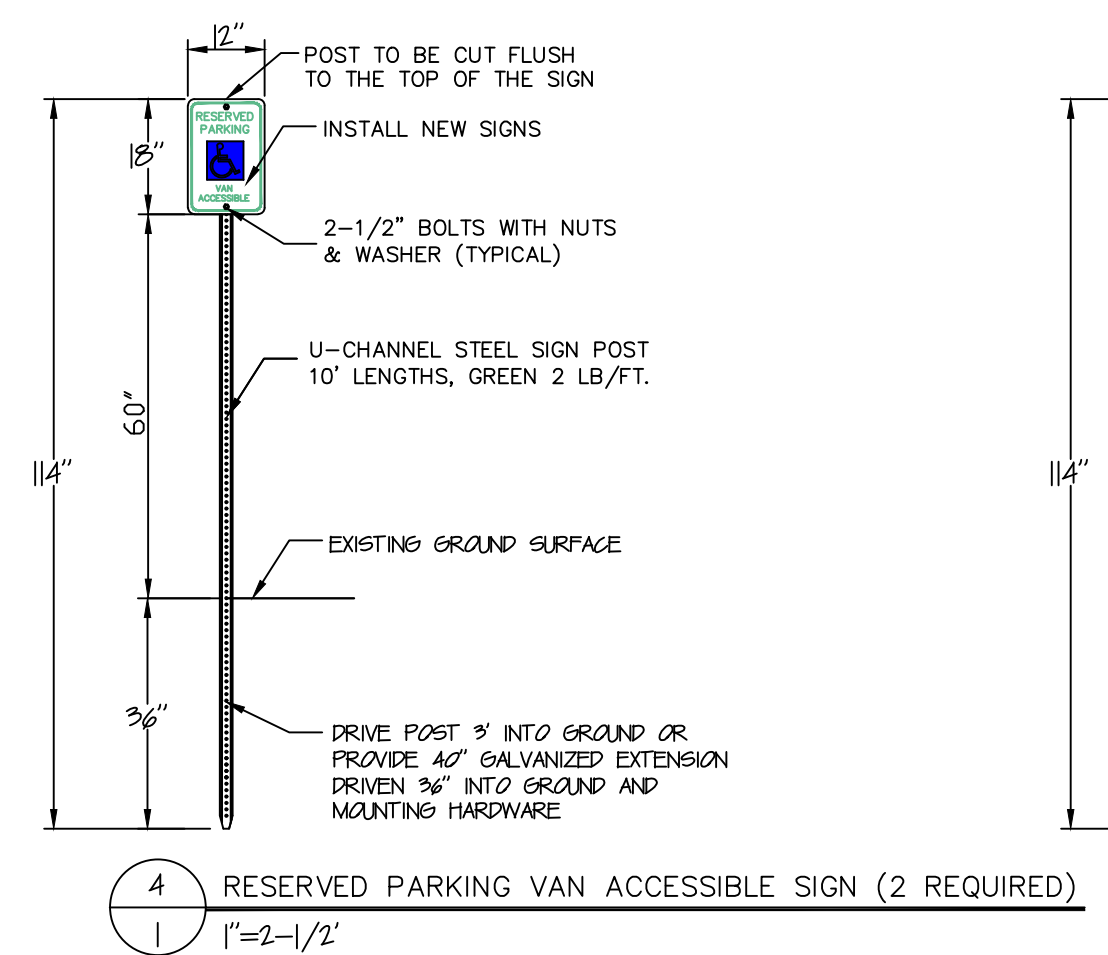
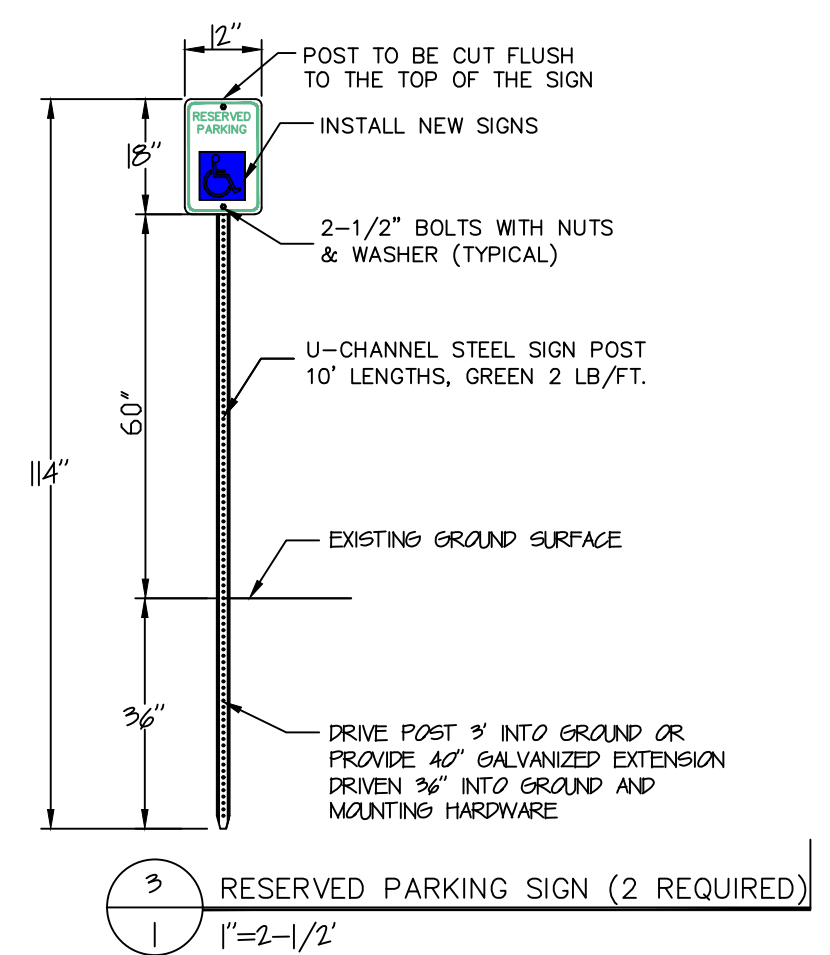
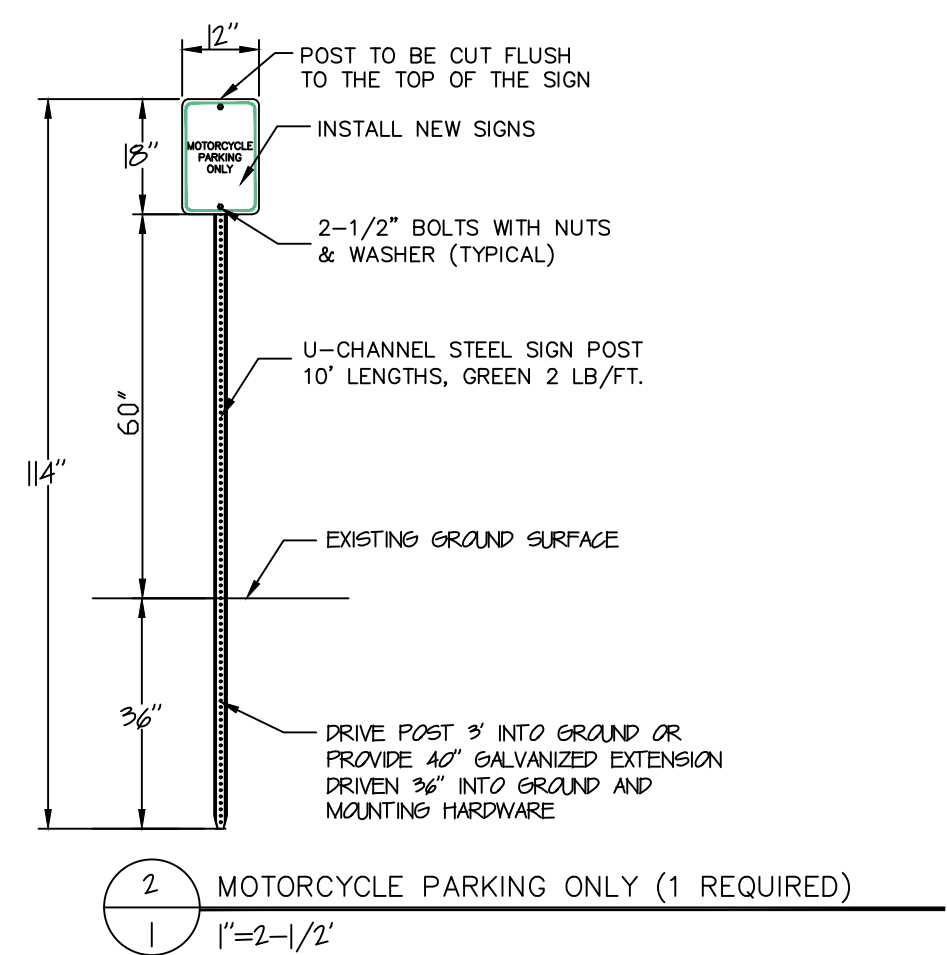
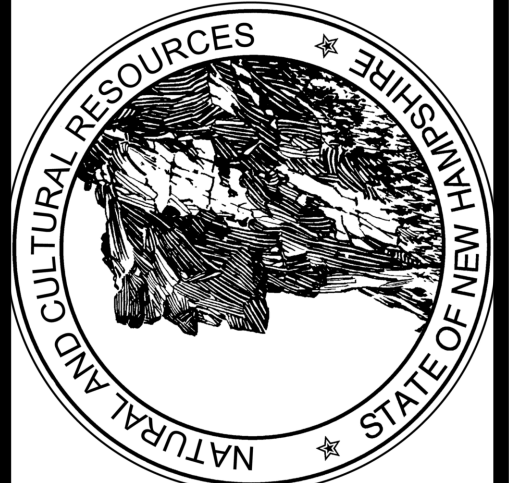


- NOTES:
- 94 TOTAL PASSENGER VEHICLE PARKING SPACES. 4 ADA SPACES ARE REQUIRED, 1 VAN ACCESSIBLE MINIMUM. INTERIOR PARKING SPACES IS ALLOCATED FOR TRUCKS WITH TRAILERS, SCHOOL BUSES, OR ADDITIONAL PASSENGER VEHICLES UP TO 21' IN LENGTH. 1 MOTORCYCLE ONLY PARKING SPACE IS PROVIDED.
 - PAINTED LINES SHALL BE 4" IN WIDTH AND PAINTED WHITE.
 - PAINTED ADA SYMBOLS SHALL BE 5' x 5' WITH BLUE BACKGROUND
 - CONTRACTOR IS TO PROVIDE AND INSTALL ALL SIGN POSTS, SIGN HARDWARE AND ALL SIGNS REQUIRED.



- NOTES:
- WITHIN THE LOT CLEAN DEBRIS WITH LEAF BLOWERS OR OTHER EQUIPMENT AS REQUIRED.
 - VERIFY DIMENSIONS OF THE LOT BEFORE BEGINNING STRIPING LAYOUT. CORRELATE WITH INUR PROJECT MANAGER REGARDING ANY DISCREPANCIES.
 - MAXIMIZE THE LENGTH OF THE ANGLED CENTER SPACES TO ACCOMMODATE LARGER VEHICLES WITH TRAILERS.
 - ALL LINE STRIPING SHALL BE 4" WIDTH PAINTED WHITE.
 - PROVIDE AND INSTALL ALL ADA SIGNS, U-CHANNEL POSTS 2-1/2 LB/FT. & HARDWARE.

APPROVED BY:	PROJECT #	DATE: JAN 12, 2021
DRAWN BY: EDWARD MUSSEY	SCALE: 1"=20'	



STATE OF NEW HAMPSHIRE
DEPARTMENT OF NATURAL AND CULTURAL RESOURCES
PLANNING AND DEVELOPMENT

PAWTUCKAWAY STATE PARK
NOTTINGHAM, NEW HAMPSHIRE