

- NOTES:
- REMOVE EXISTING METAL ROOF PANELS.
 - INSTALL NEW MBCI 7.2 PANELS 22 GAUGE IN ACCORDANCE TO MANUFACTURER'S INSTRUCTIONS FOR HIGH WIND AREAS.
 - INSPECT EPDM ROOFING, REPAIR OR REPLACE AS REQUIRED.
 - REMOVE EXISTING ASPHALT SHINGLE ROOFING. INSTALL NEW ASPHALT SHINGLE ROOFING IN ACCORDANCE WITH MANUFACTURER'S INSTRUCTIONS FOR HIGH WIND AREAS.

METAL & ASPHALT SHINGLE ROOF REPLACEMENT
CANNON MTN AERIAL TRAMWAY SUMMIT BUILDING

DATE: OCT 15, 2021

PROJECT # CAP-2139

APPROVED BY: EDWARD MUSSEY

SCALE: 1-1/2" = 1'-0"

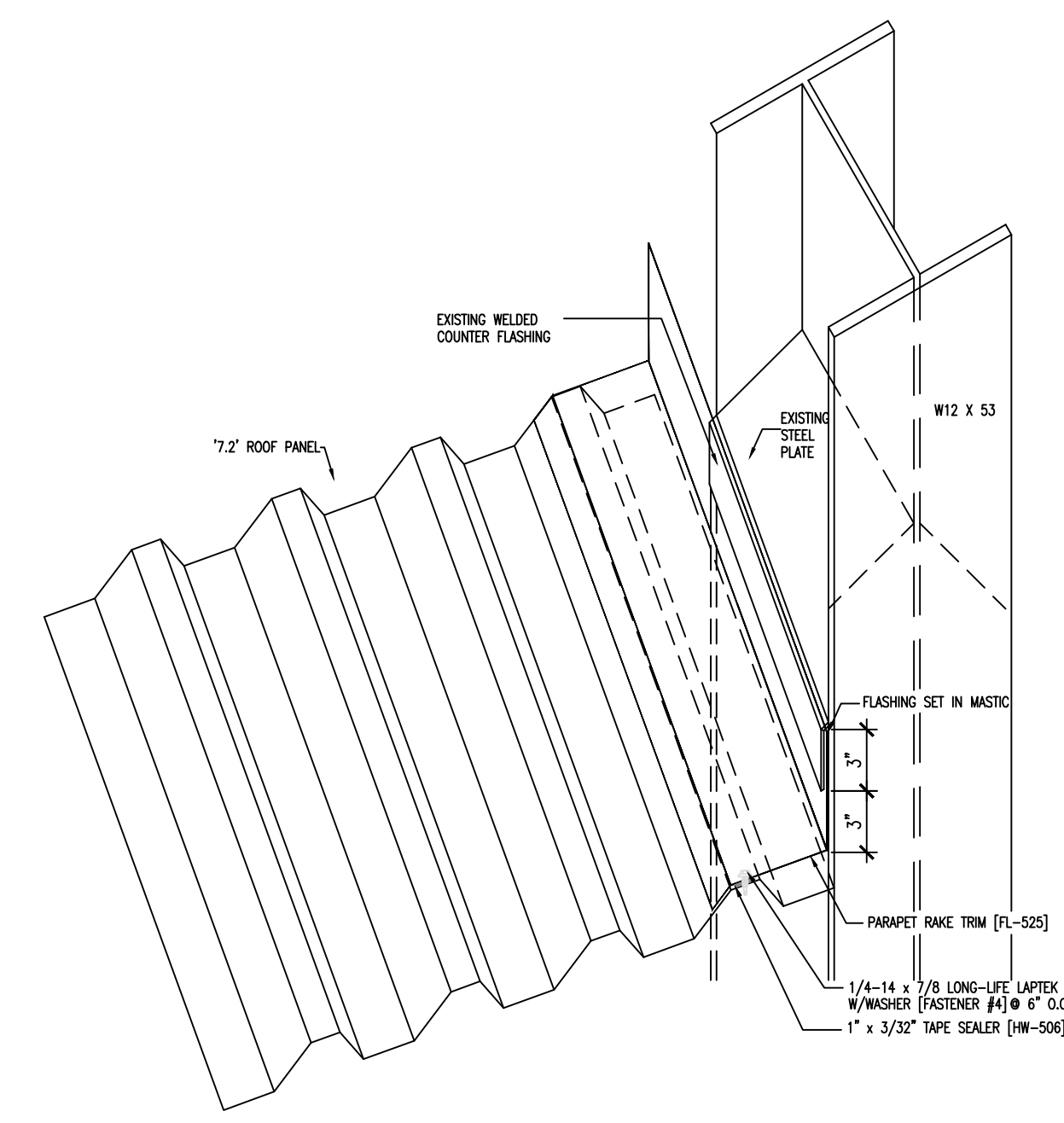


STATE OF NEW HAMPSHIRE
DEPARTMENT OF NATURAL AND CULTURAL RESOURCES

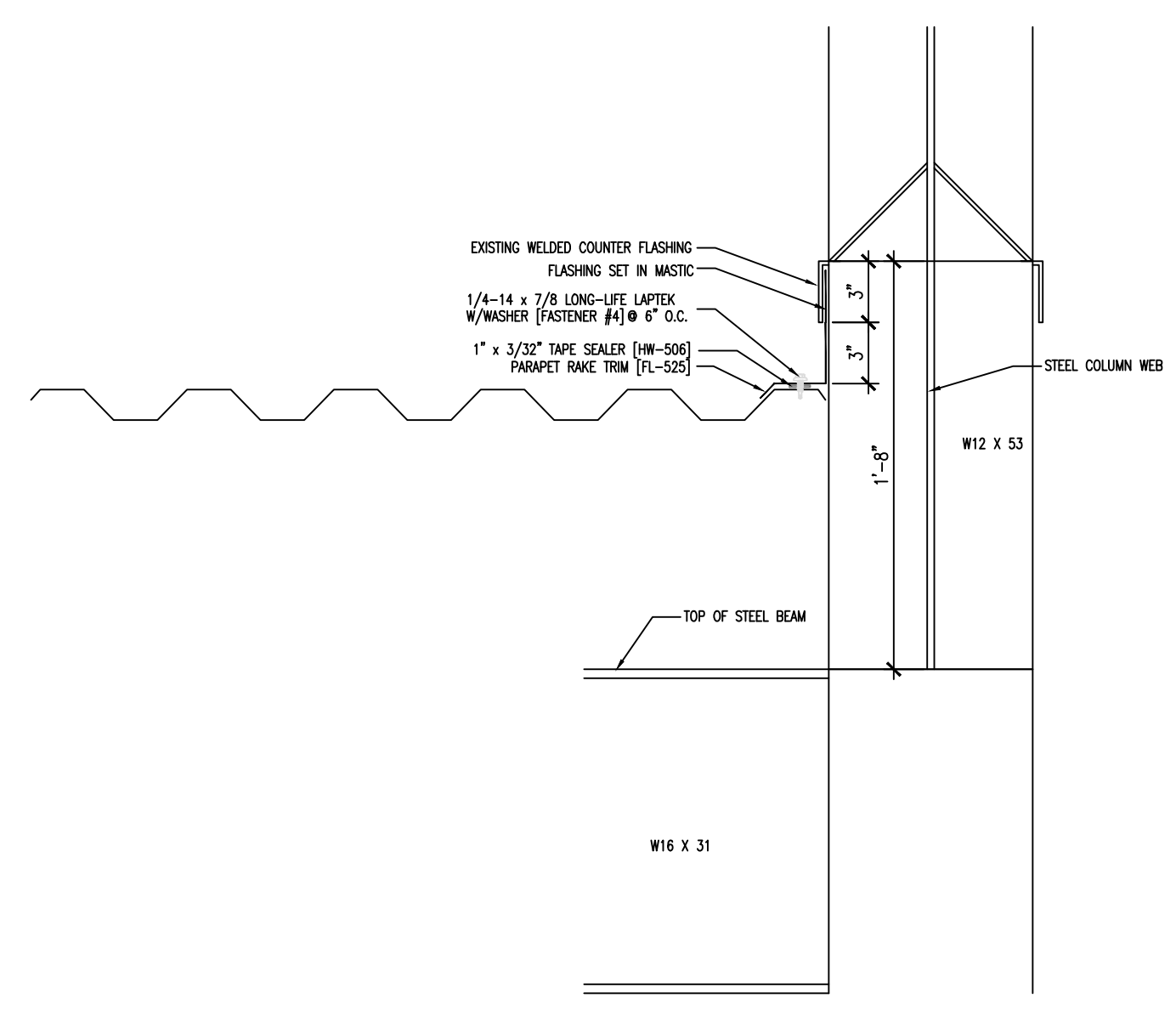
OPERATIONS PLANNING & PROJECT MANAGEMENT

FRANCONIA NOTCH STATE PARK
LOCATION, NEW HAMPSHIRE

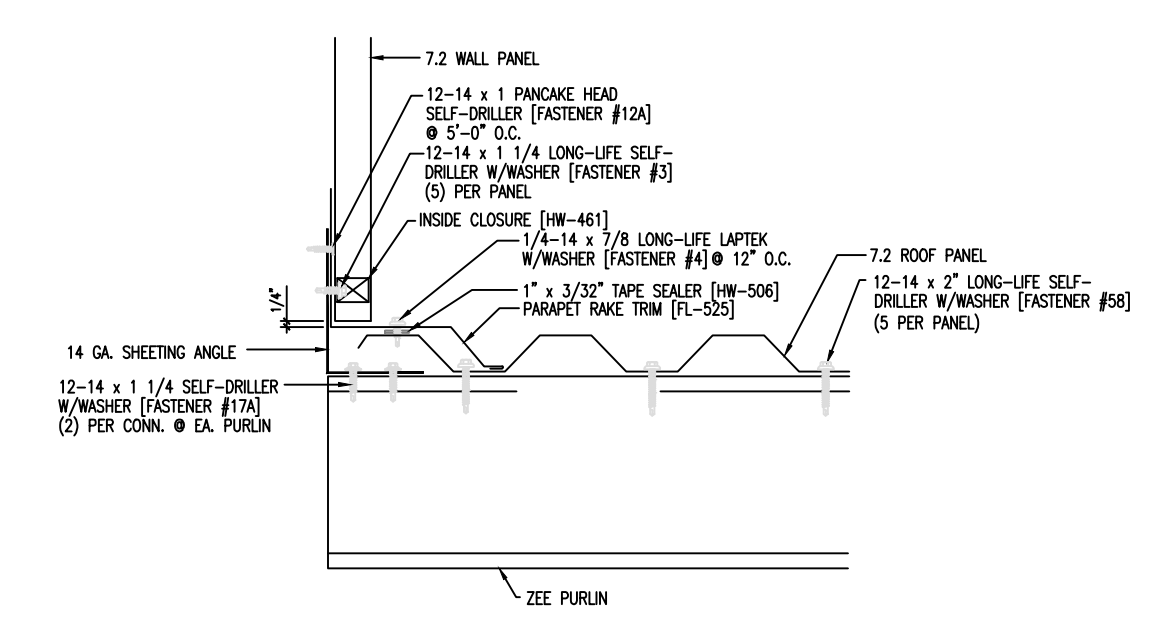
SHEET
3
OF 4



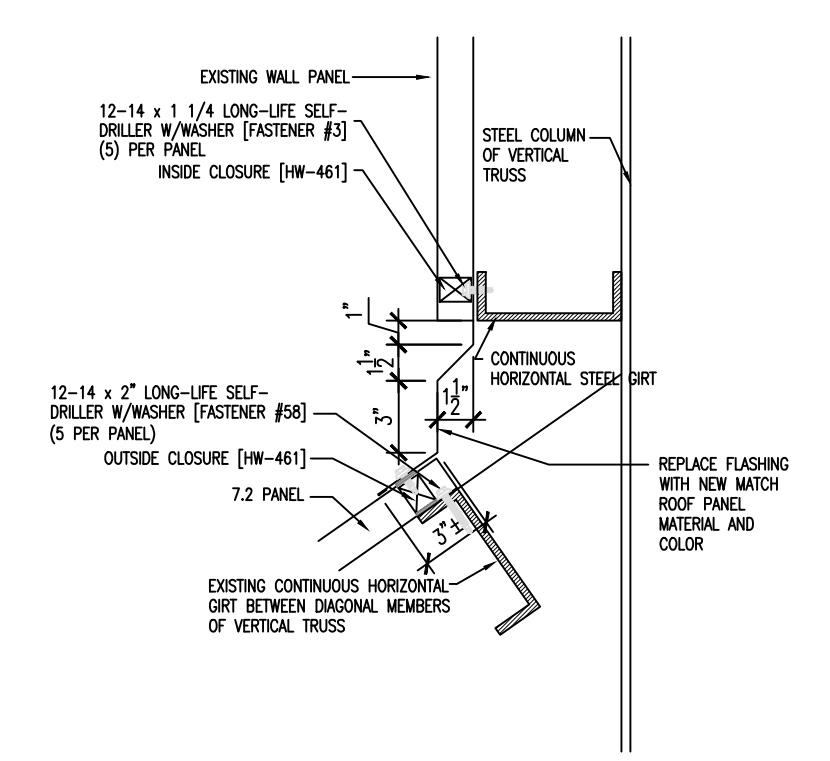
1 FLASHING @ COLUMN ENDS
3 1-1/2" = 1'-0"



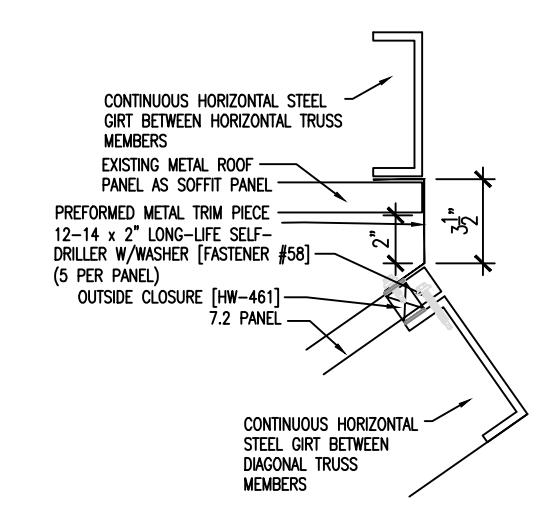
2 FLASHING @ COLUMN ENDS
3 1-1/2" = 1'-0"



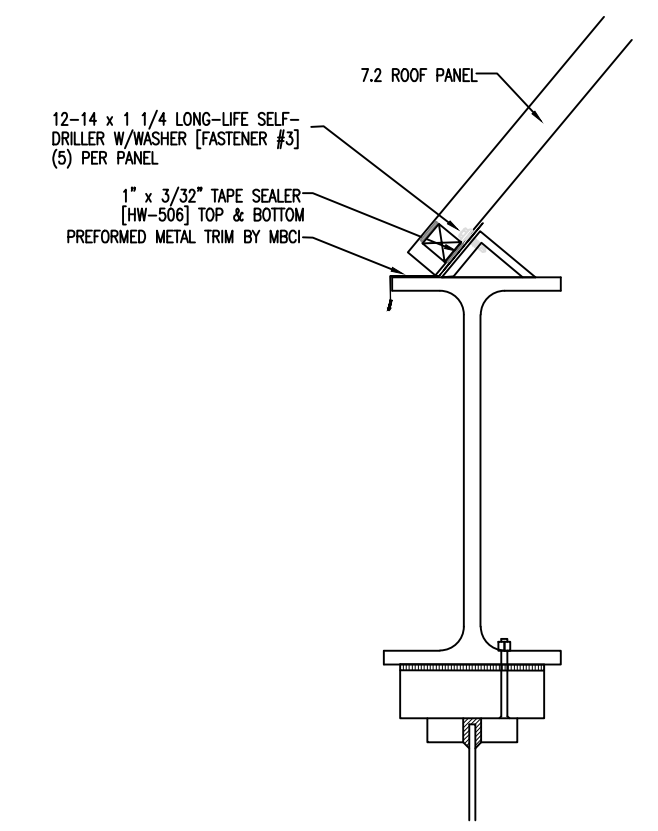
3 SIDEWALL FLASHING
3 1-1/2" = 1'-0"



4 HIGH EAVE DETAIL
3 1-1/2" = 1'-0"



5 HIGH EAVE + SOFFIT DETAIL
3 1-1/2" = 1'-0"



6 EAVE FLASHING DETAIL @ EXPOSED TRUSS
3 1-1/2" = 1'-0"