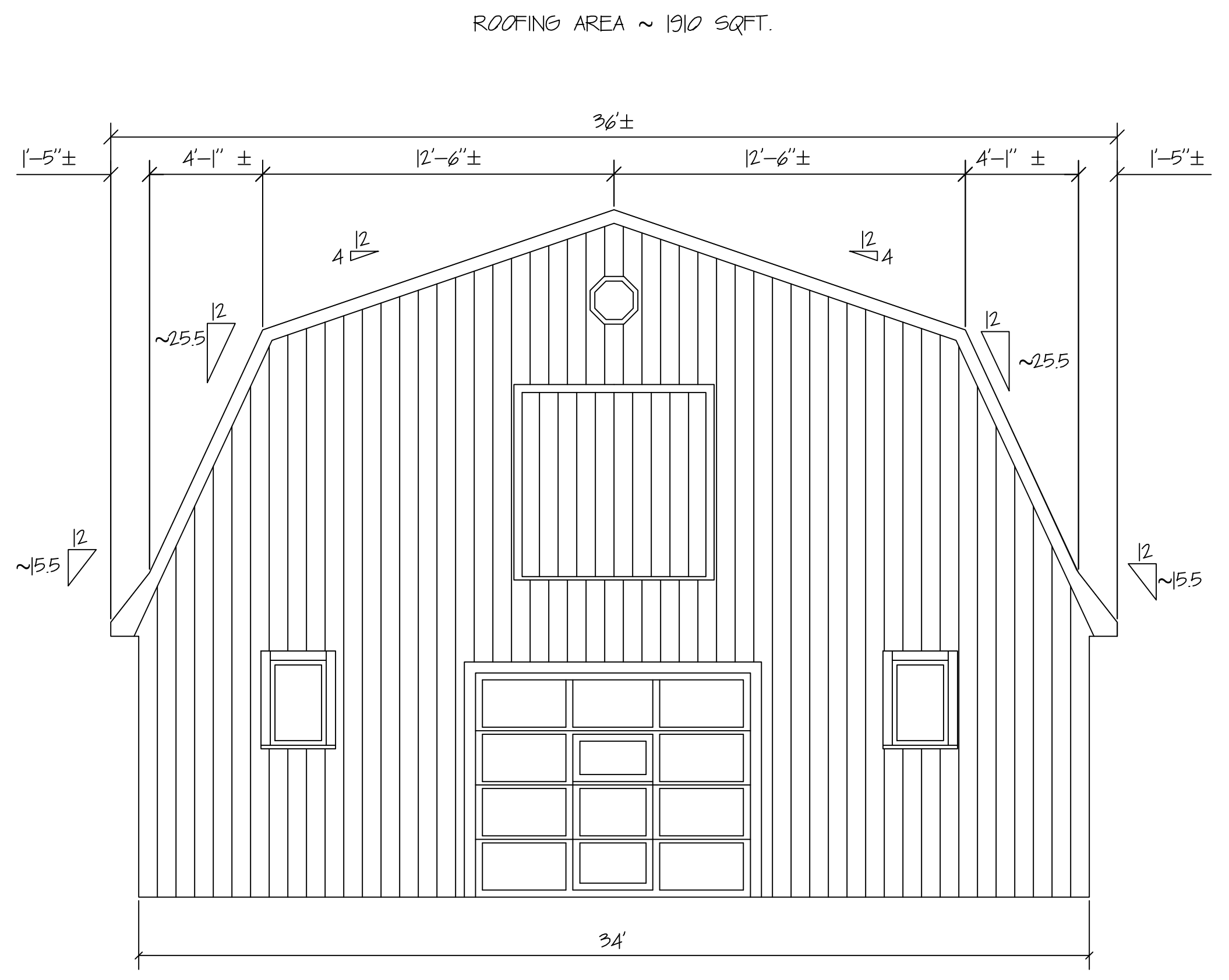
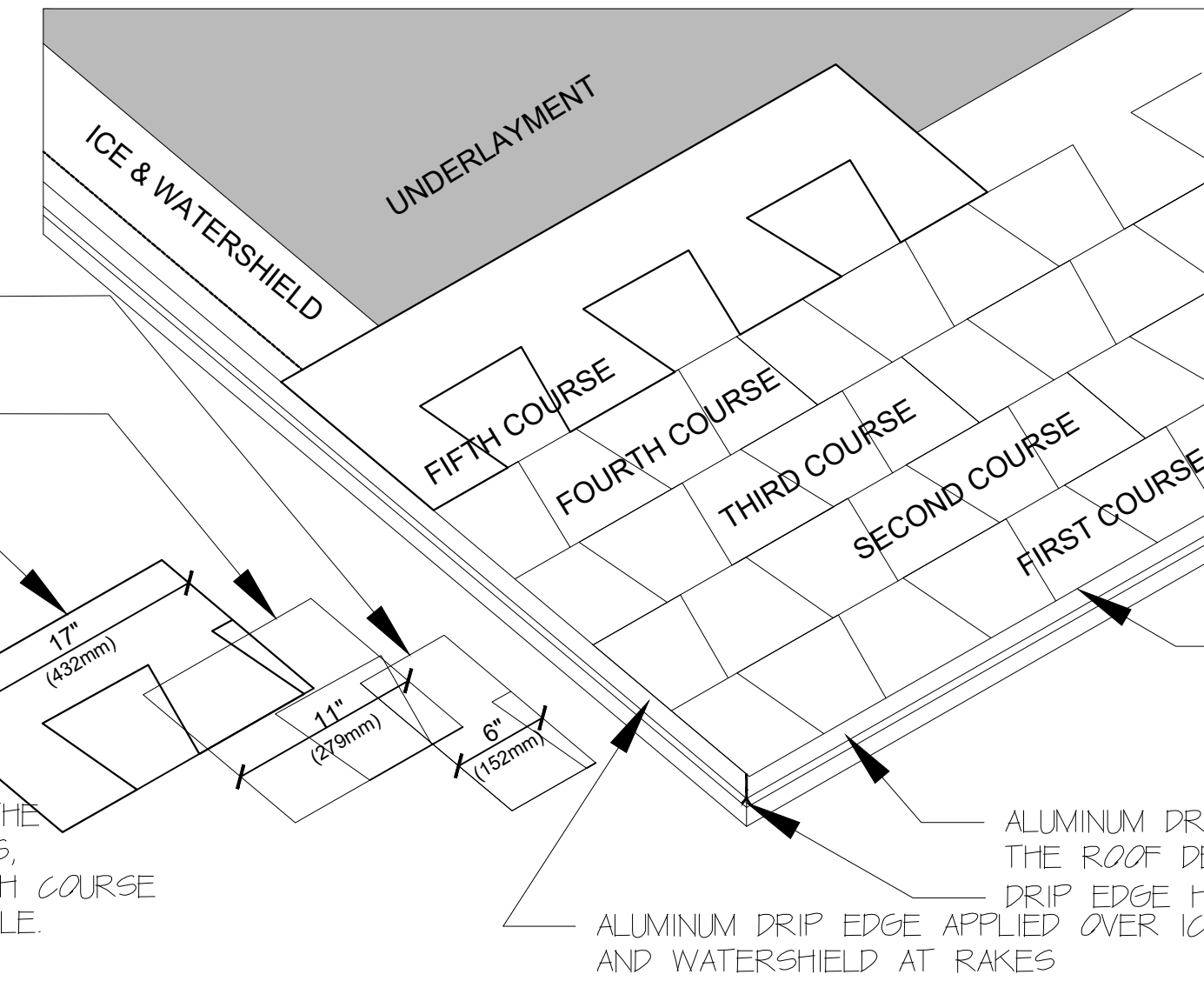


1 BARN (LTP02) LAKE TARLETON ROOF PLAN



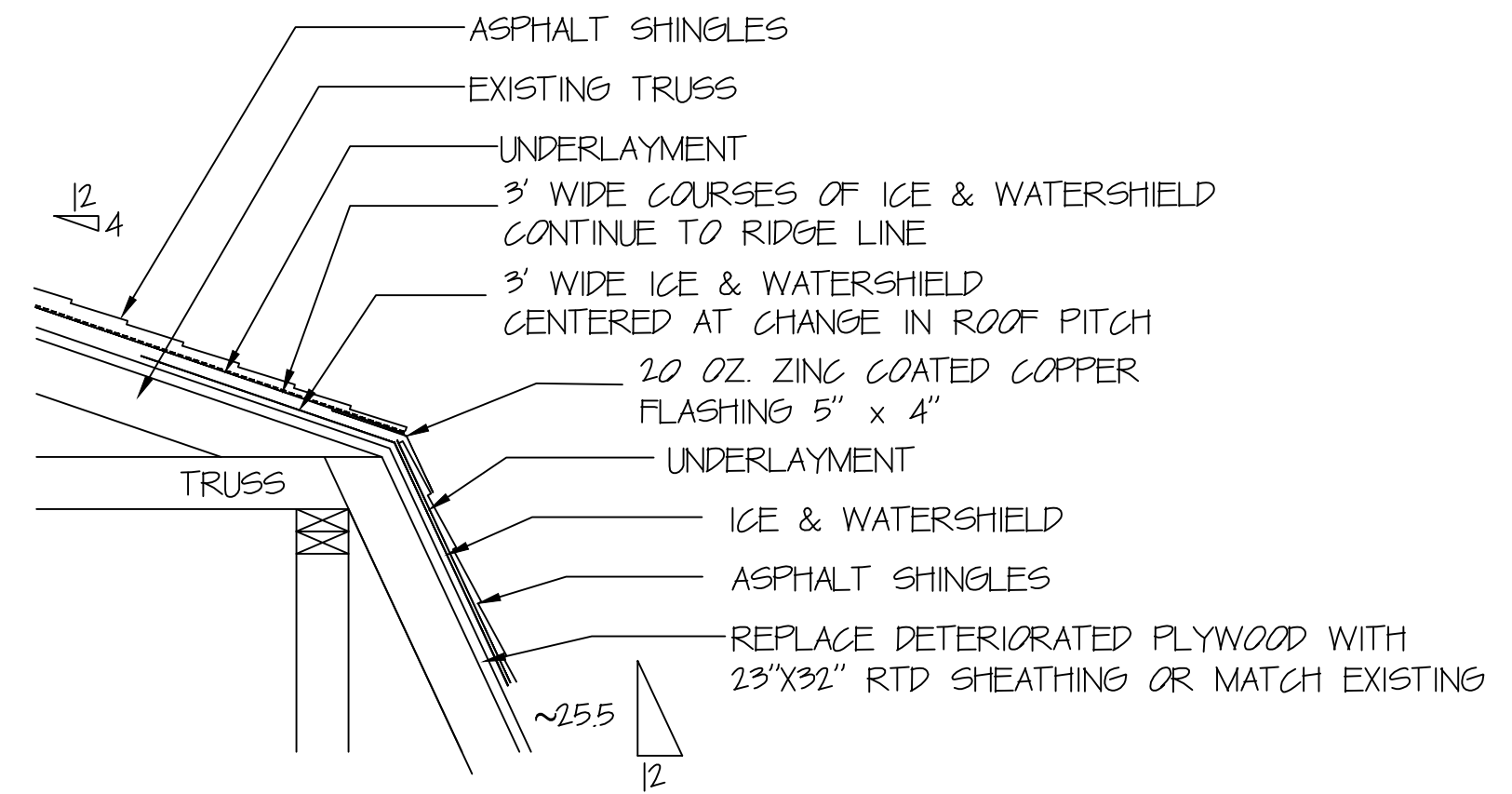
2 BARN (LTP02) LAKE TARLETON ELEVATION

SHINGLE INSTALLATION
 START AT EITHER RAKE AND LAY IN EITHER DIRECTION
FIRST COURSE:
 START WITH FULL SHINGLE
SECOND COURSE:
 TRIM 6" (152MM) OFF FIRST SHINGLE
THIRD COURSE:
 TRIM 11" (279MM) OFF FIRST SHINGLE
FOURTH COURSE:
 TRIM 17" (432MM) OFF FIRST SHINGLE
REMAINING COURSES:
 REPEAT THE 1ST - 4TH COURSE INSTRUCTIONS ON THE REMAINING COURSES, STARTING THE FIFTH COURSE WITH A FULL SHINGLE.

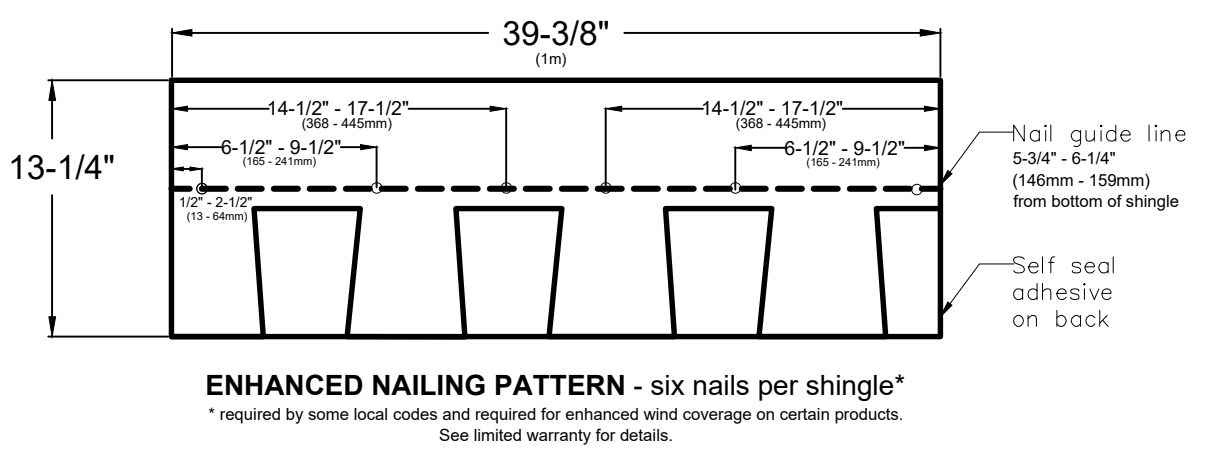


3 SHINGLE INSTALLATION DETAILS
 NDT TO SCALE

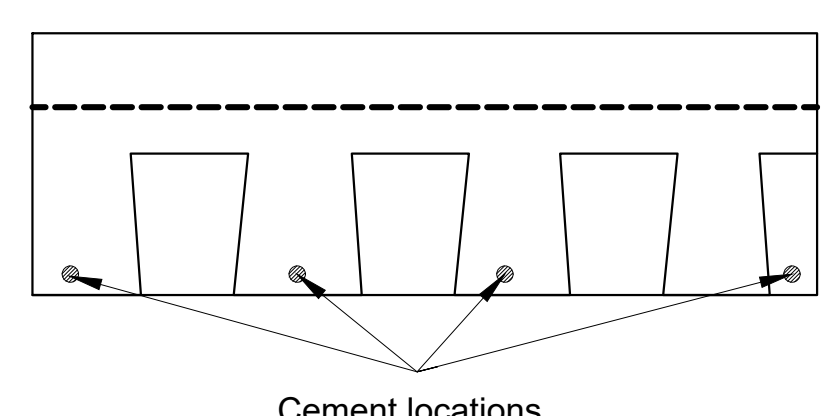
NOTES:
 1. CONTINUE EACH COURSE WITH WHOLE SHINGLES
 2. STRIKE A CHALK LINE ABOUT EVERY 6 COURSES TO CHECK PARALLEL ALIGNMENT WITH EAVES.
 PLACE FIRST COURSE OF SHINGLES 1/4" - 3/4" OVER EAVE AND RAKE EDGES, COVERING STARTER COURSE OVERHANG, TO PROVIDE DRIP EDGE.
 ALUMINUM DRIP EDGE APPLIED DIRECT TO THE ROOF DECK AT EAVES
 DRIP EDGE HEM CORNERS
 ALUMINUM DRIP EDGE APPLIED OVER ICE AND WATERSHIELD AT RAKES



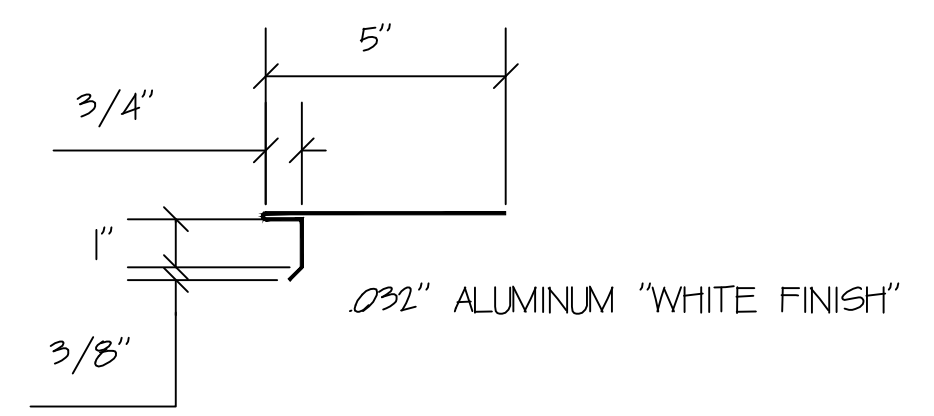
4 ROOF SECTION
 1'-1'-0"



5 GAF ENHANCED NAILING PATTERN
 NDT TO SCALE



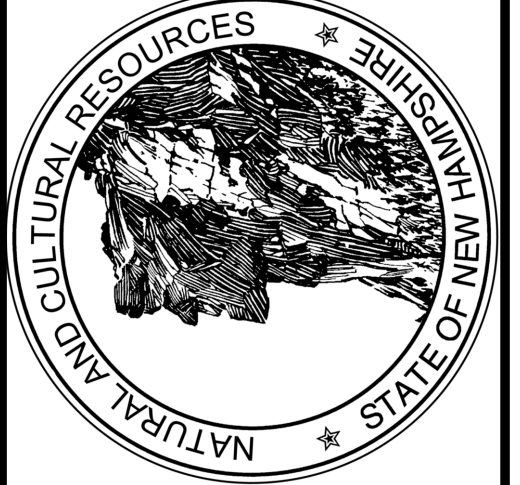
6 GAF CEMENT LOCATIONS
 NDT TO SCALE



7 ALUMINUM DRIP EDGE
 3'-1'-0"

NOTES:
 1. STRIP AND DISPOSE OF ALL ASPHALT SHINGLES AND UNDERLAYMENTS.
 2. REPLACE DETERIORATED PLYWOOD SHEATHING.
 3. INSTALL NEW DRIP EDGE, ICE & WATERSHIELD AND UNDERLAYMENT.
 4. INSTALL ASPHALT SHINGLES.
 5. INSTALL RIDGE CAP SHINGLES.

ASPHALT SHINGLE ROOF REPLACEMENT BARN (LTP02) AT LAKE TARLETON		DATE: OCT 7, 2022
PROJECT #	CAP-2208	APPROVED BY:
SCALE	1/4" = 1'-0"	DRAWN BY: EDWARD MUSSEY



STATE OF NEW HAMPSHIRE
 DEPARTMENT OF NATURAL AND CULTURAL RESOURCES
 PLANNING AND DEVELOPMENT SECTION
 LAKE TARLETON STATE PARK
 PIERMONT, NEW HAMPSHIRE