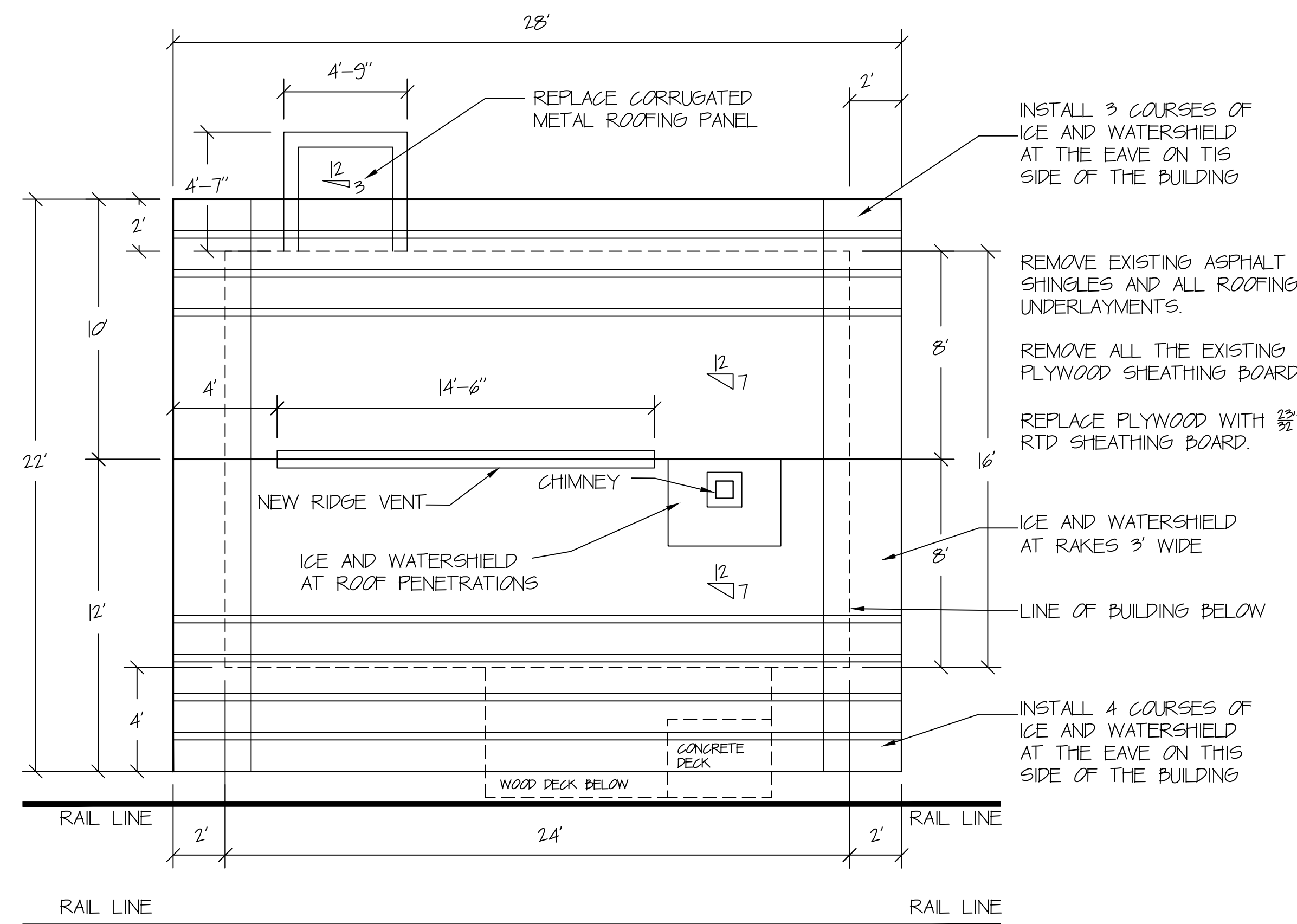
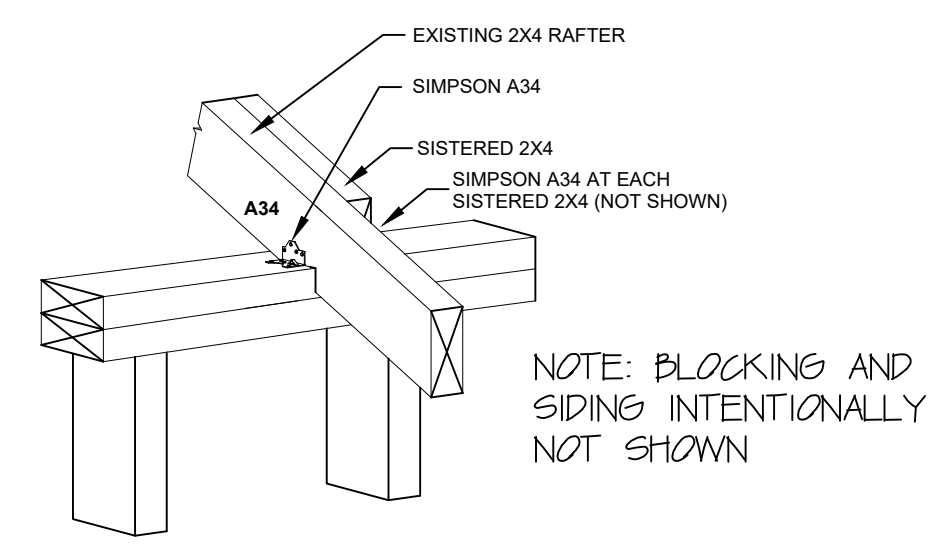


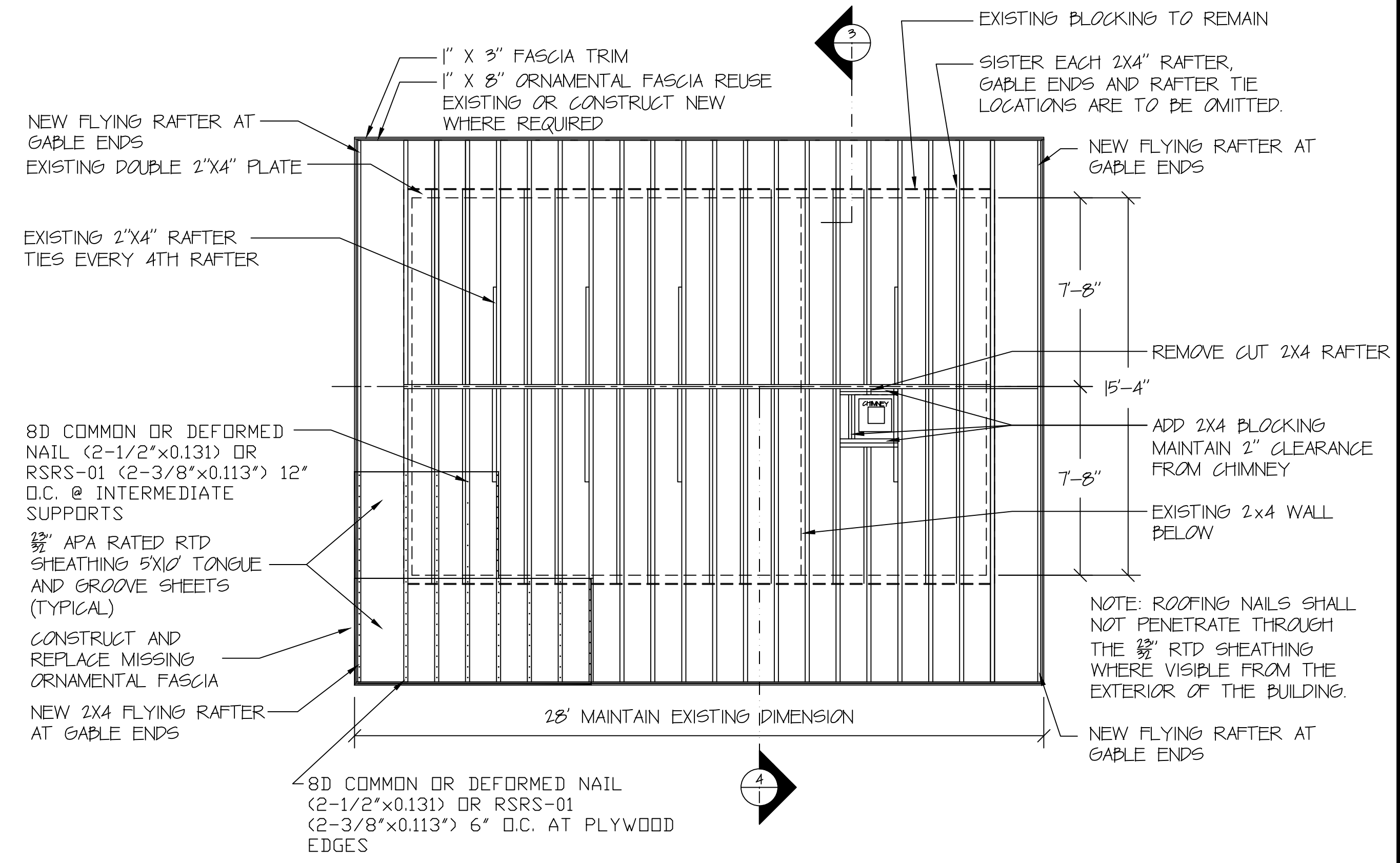
ASPHALT SHINGLE ROOF REPLACEMENT AND REPAIRS.
 COTTON VALLEY RAIL TRAIL FERNALD STATION
 64 GOVERNOR WENTWORTH HIGHWAY ROUTE 109 WOLFEBORO, NH



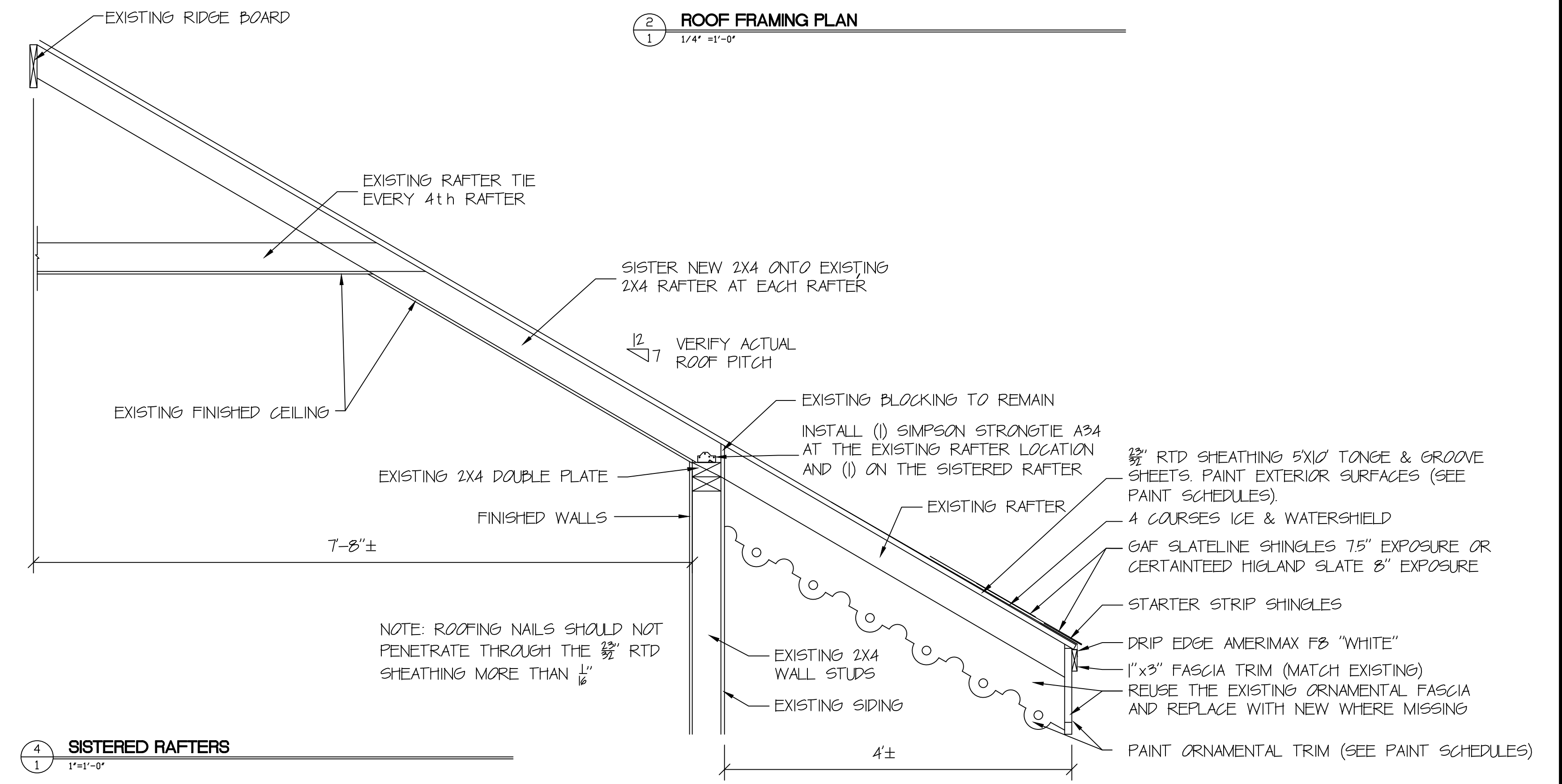
1 ROOF PLAN
 1/4" = 1'-0"



3 ANGLE TIES • EACH RAFTER
 NOT TO SCALE



2 ROOF FRAMING PLAN
 1/4" = 1'-0"



4 SISTERED RAFTERS
 1/4" = 1'-0"

- NOTES:
1. STRIP OF THE EXISTING ASPHALT SHINGLE ROOF AND UNDERLAYMENTS.
 2. STRIP OFF ALL SHEATHING BOARDS.
 3. INSTALL 2X4 SISTERED RAFTERS.
 4. INSTALL 5/8" RTD SHEATHING.
 5. INSTALL ALUMINUM DRIP EDGE.
 6. INSTALL ICE & WATERSHIELD.
 7. INSTALL ROOF UNDERLAYMENT.
 8. INSTALL ASPHALT SHINGLES.
 9. REPOINT THE CHIMNEY.
 10. PAINT ORNAMENTAL FASCIA AND EXTERIOR EXPOSURE OF PLYWOOD ROOF SHEATHING.
 11. PROVIDE REQUIRED WARRANTIES.

ASPHALT SHINGLE ROOF REPLACEMENT AND REPAIRS
 FERNALD STATION, COTTON VALLEY RAIL TRAIL

DATE: JULY 28, 2022

PROJECT # CAP-2203

APPROVED BY: EDWARD MUSSEY

SCALE: 1/4" = 1'-0"



STATE OF NEW HAMPSHIRE
 DEPARTMENT OF NATURAL AND CULTURAL RESOURCES

OPERATIONS PLANNING & PROJECT MANAGEMENT

COTTON VALLEY RAIL TRAIL
 WOLFEBORO, NEW HAMPSHIRE