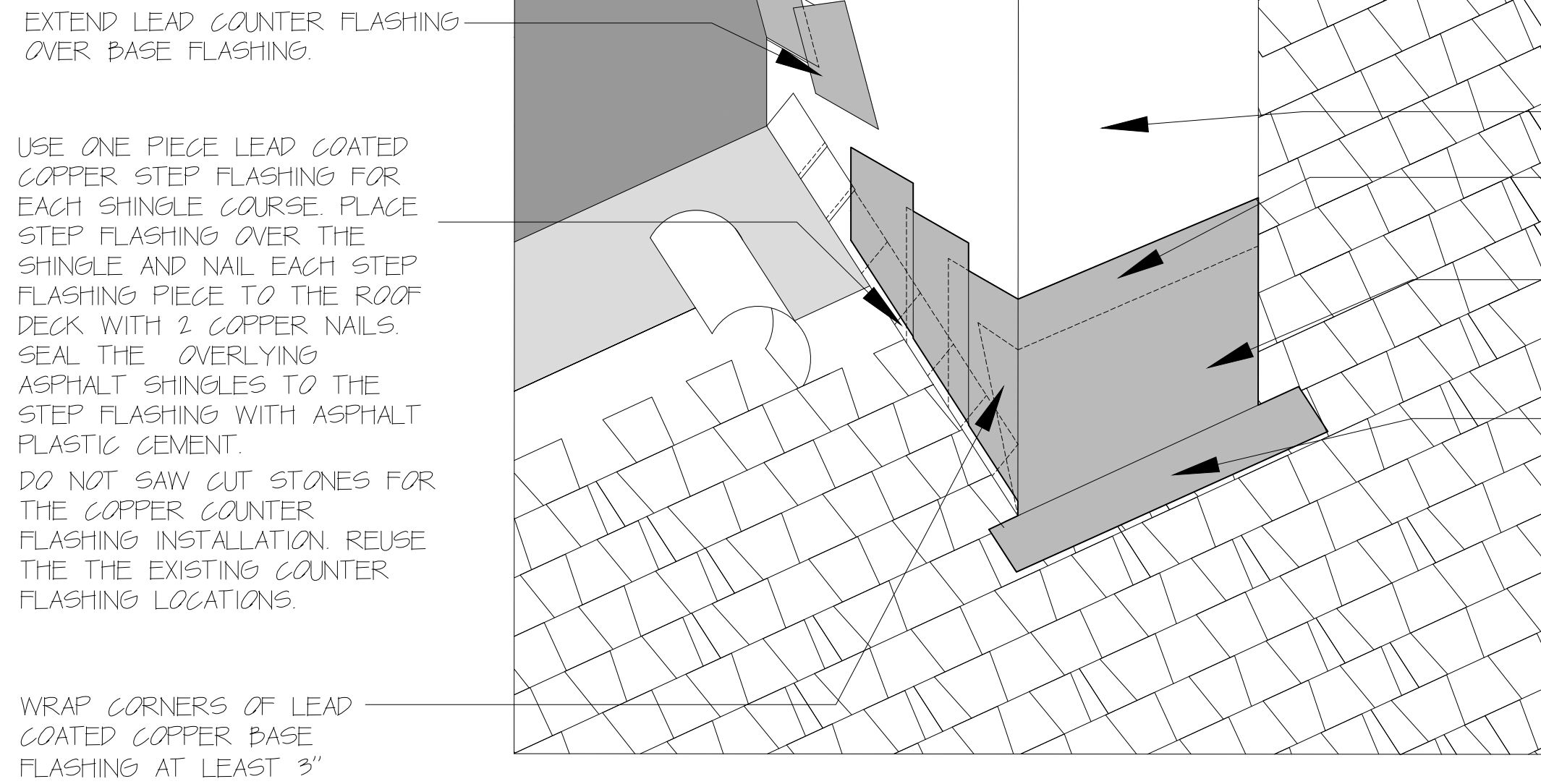


1  
2 SIDEWALL FLASHING DETAIL (TYPICAL)  
NOT TO SCALE



2  
2 CHIMNEY FLASHING DETAIL  
NOT TO SCALE

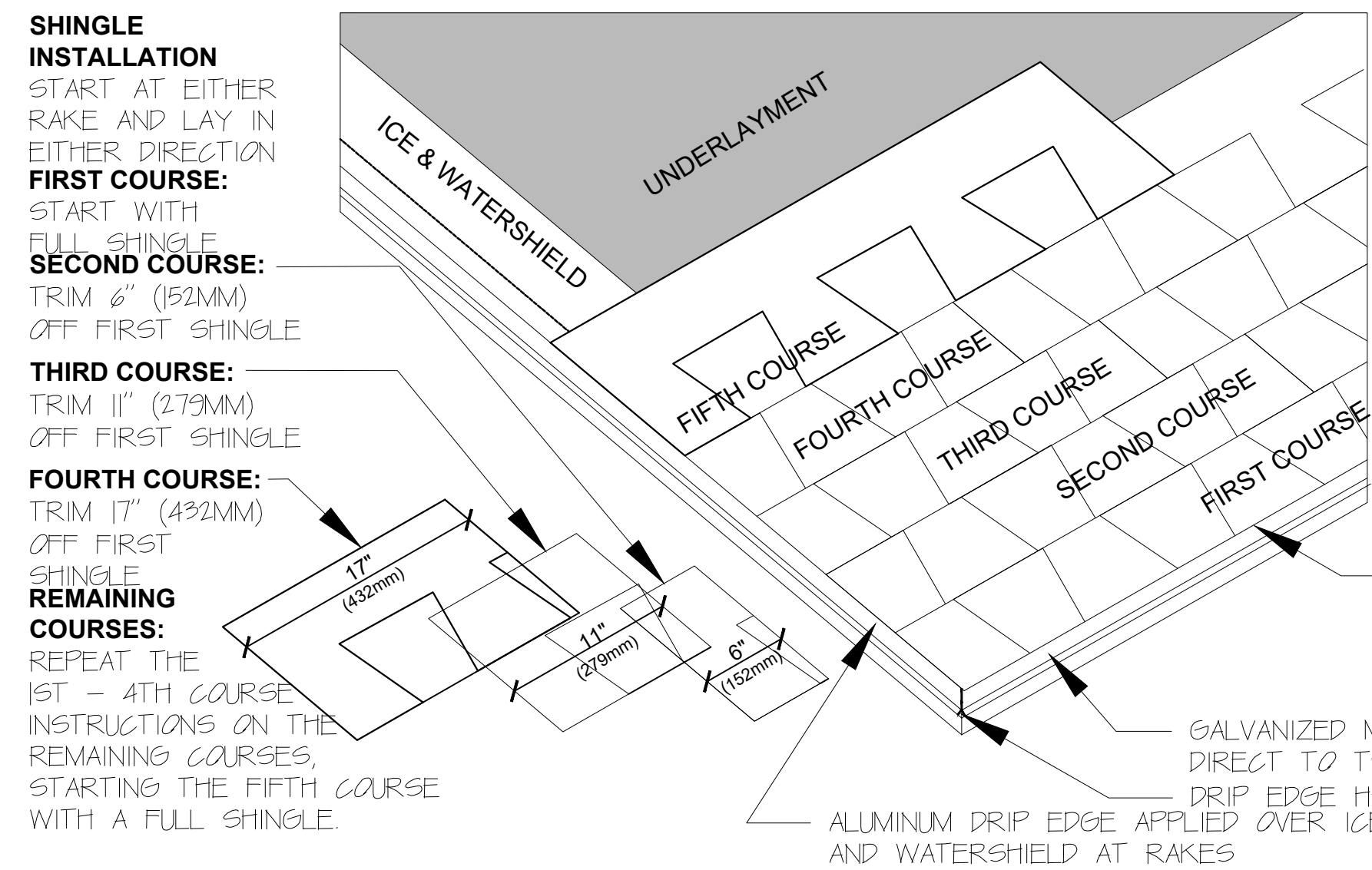
STONE MASONRY CHIMNEY DETAIL INTENTIONALLY NOT SHOWN. RE-POINT THE STONE MASONRY CHIMNEYS FROM THE ROOFLINE UP.

EXTEND LEAD COUNTER FLASHING OVER LEAD COATED COPPER BASE FLASHING.

ONE PIECE LEAD COATED COPPER BASE FLASHING EXTEND AT LEAST 12" UP THE FACE OF THE CHIMNEYS

ONE PIECE LEAD COATED COPPER BASE FLASHING (APRON) EXTEND AT LEAST 5" ONTO ROOF DECK

NOTE: DO NOT RUN ICE AND WATERSHIELD OR OTHER UNDERLAYMENTS UP THE FACE, SIDEWALLS, OR BACK OF THE CHIMNEYS



3  
2 SHINGLE INSTALLATION DETAILS  
NOT TO SCALE

NOTES:

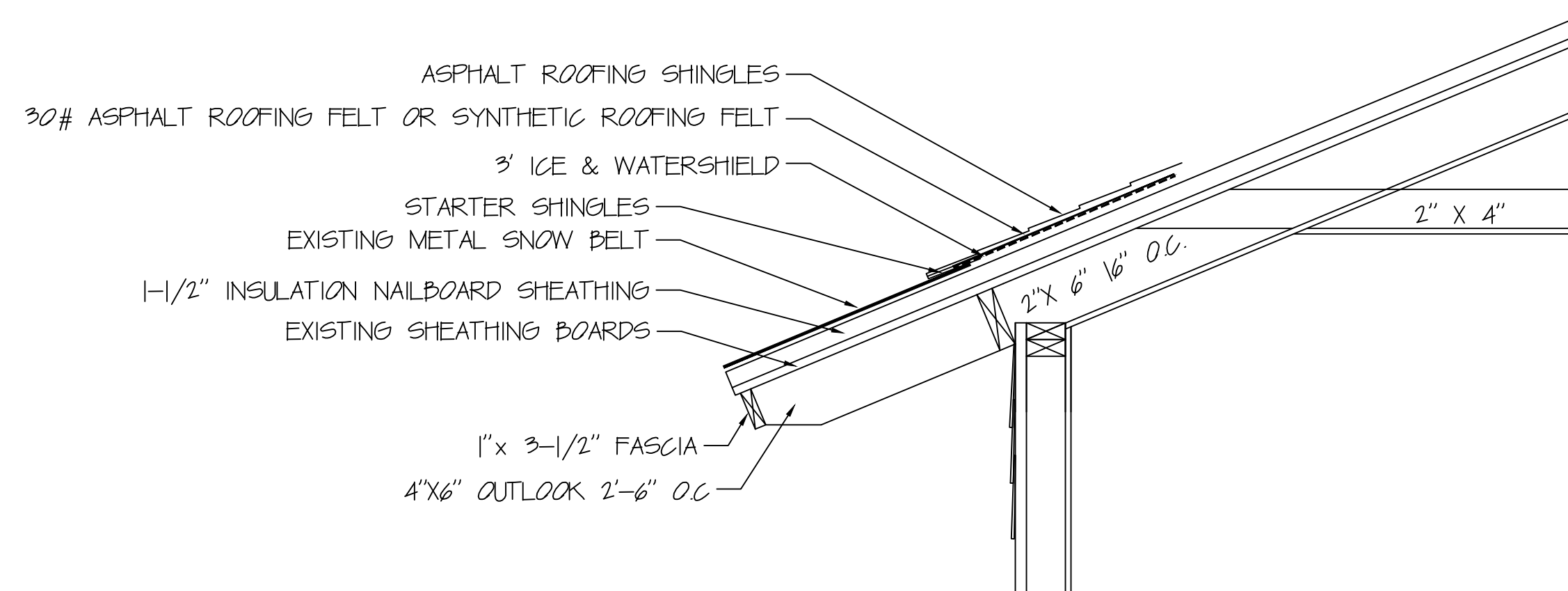
1. CONTINUE EACH COURSE WITH WHOLE SHINGLES
2. STRIKE A CHALK LINE ABOUT EVERY 6 COURSES TO CHECK PARALLEL ALIGNMENT WITH EAVES.

PLACE FIRST COURSE OF SHINGLES 1/4" - 3/4" OVER EAVE AND RAKE EDGES, COVERING STARTER COURSE OVERHANG, TO PROVIDE DRIP EDGE.

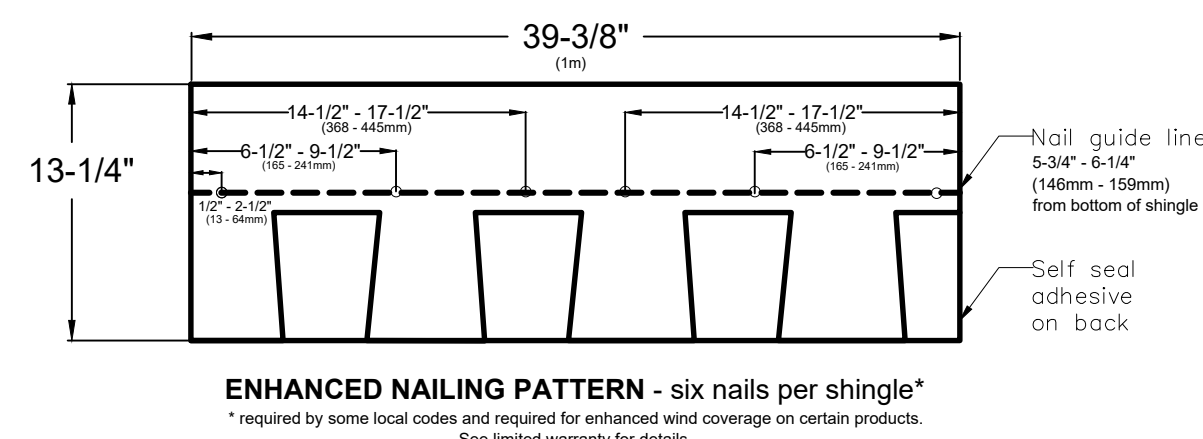
GALVANIZED METAL DRIP EDGE APPLIED DIRECT TO THE ROOF DECK AT EAVES

DRIP EDGE MEM CORNERS

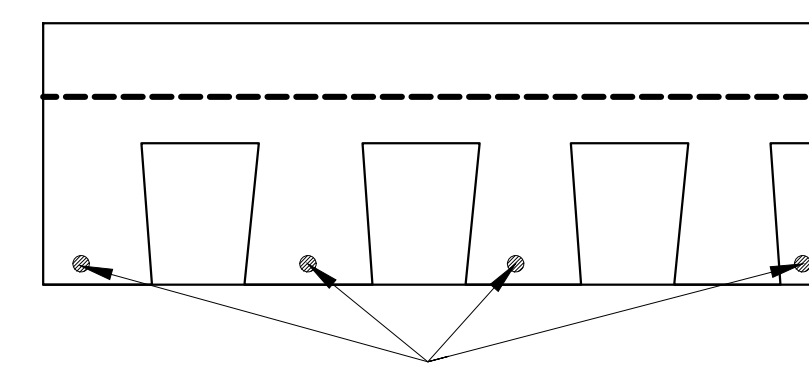
ALUMINUM DRIP EDGE APPLIED OVER ICE AND WATERSHIELD AT RAKES



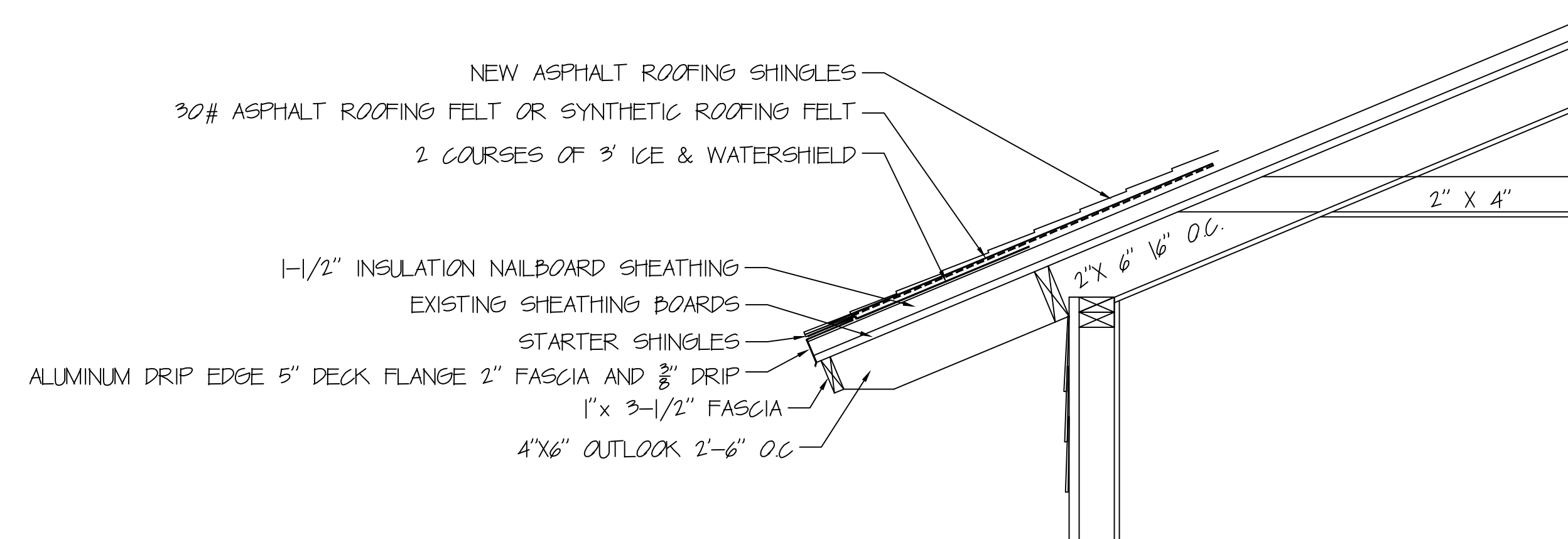
4  
2 ROOF SECTION  
NOT TO SCALE



5  
2 GAF ENHANCED NAILING PATTERN  
NOT TO SCALE



6  
2 GAF CEMENT LOCATIONS  
NOT TO SCALE



7  
2 ROOF SECTION  
NOT TO SCALE

- NOTES:
1. STRIP AND REMOVE ALL ASPHALT SHINGLE ROOFING MATERIALS IN AREAS AS INDICATED.
  2. INSPECT AND REPAIR WOOD ROOF DECK.
  3. INSTALL ALUMINUM DRIP EDGE.
  4. INSTALL ICE & WATERSHIELD.
  5. INSTALL SOLID FELT OR SYNTHETIC ROOF UNDERLAYMENT OVER ENTIRE ROOF DECK.
  6. INSTALL ASPHALT SHINGLES AND RIDGE CAP SHINGLES.

ASPHALT SHINGLE ROOF REPLACEMENT  
CANNON MTN. HEADQUARTERS

DATE: SEP 1, 2022

PROJECT #: CAP-2204

APPROVED BY:

SCALE: 1/4"=1'-0"

DRAWN BY: EDWARD MUSSEY



STATE OF NEW HAMPSHIRE  
DEPARTMENT OF NATURAL AND CULTURAL RESOURCES

PLANNING AND DEVELOPMENT SECTION

CANNON MOUNTAIN SKI AREA  
FRANCONIA, NEW HAMPSHIRE

SHEET

2 of 2