

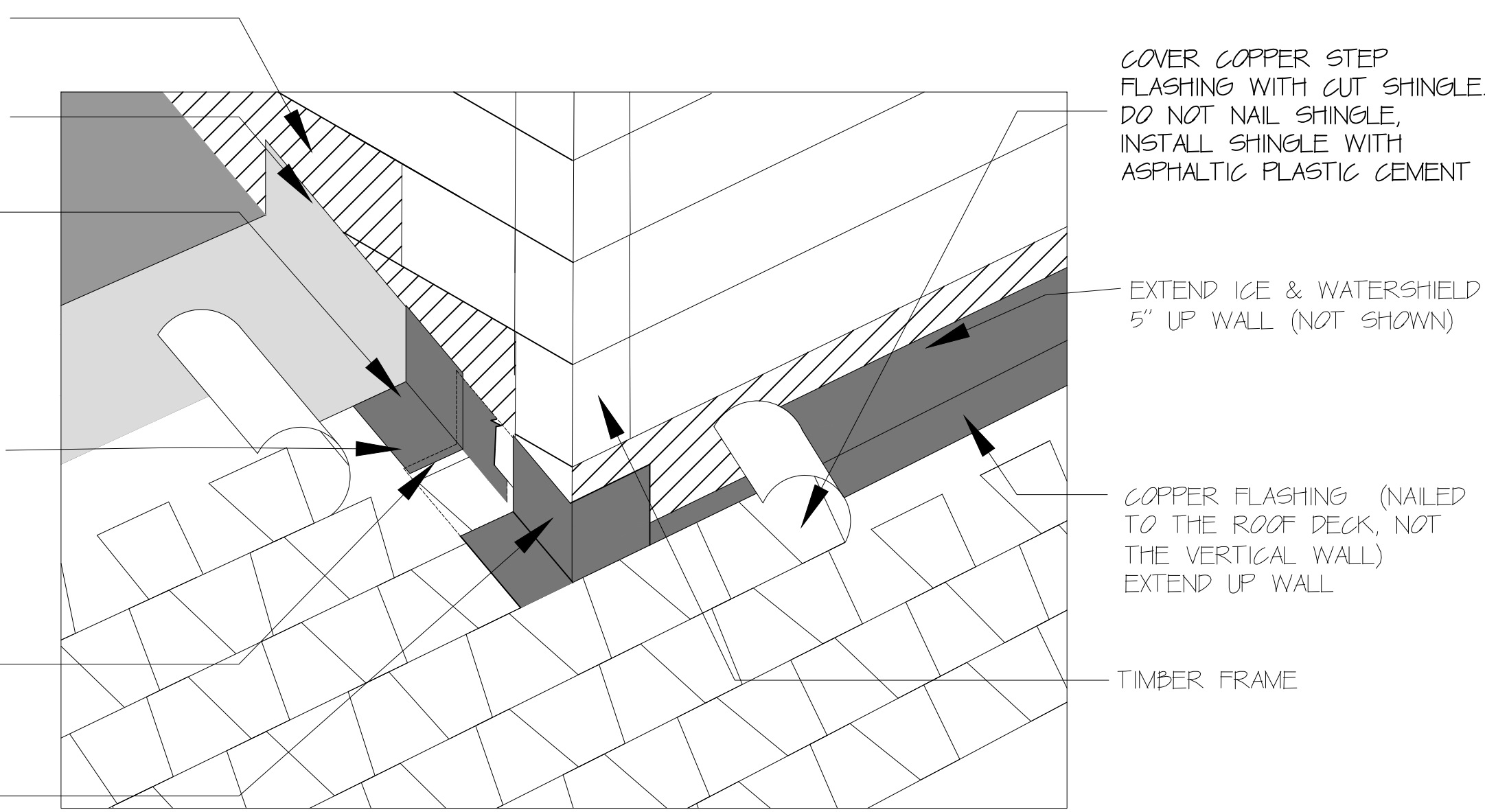
EXISTING COPPER COUNTER FLASHING

EXTEND ICE & WATERSHIELD AT LEAST 5" UP WALL
2 COPPER NAILS PER STEP FLASHING

PLACE COPPER STEP FLASHING JUST UPSLOPE FROM EXPOSED EDGE OF SHINGLE AND EXTEND 5" OVER UNDERLYING SHINGLE AND 5" UP THE VERTICAL WALL.

STEP FLASHING PIECES OVERLAP EACH OTHER 2" MIN.

COPPER OUTSIDE CORNER FLASHING 90°



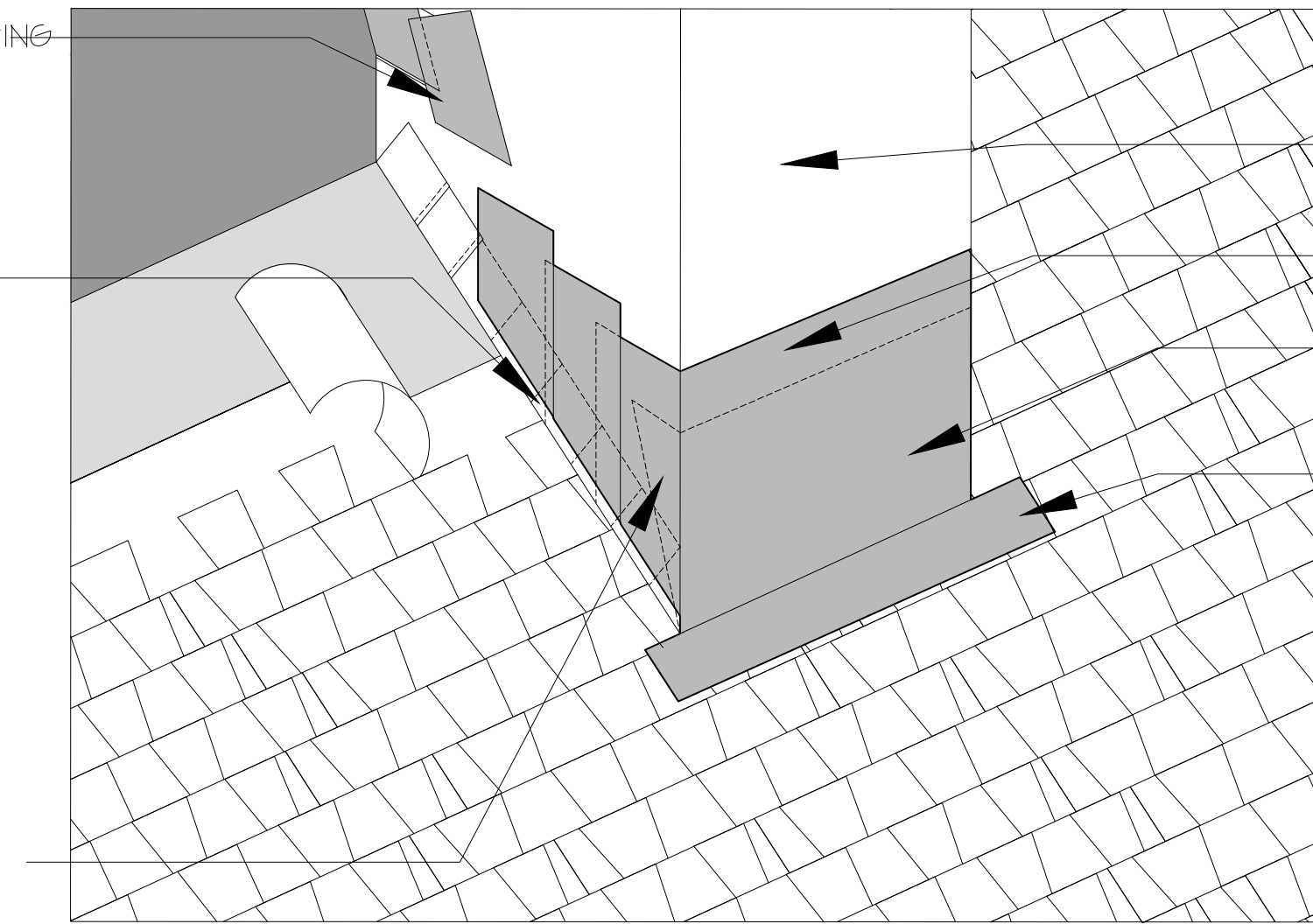
1 SIDEWALL FLASHING DETAIL (TYPICAL)
2 NDT TO SCALE

EXTEND COPPER COUNTER FLASHING OVER BASE FLASHING.

USE ONE PIECE COPPER STEP FLASHING FOR EACH SHINGLE COURSE. PLACE STEP FLASHING OVER THE SHINGLE AND NAIL EACH STEP FLASHING PIECE TO THE ROOF DECK WITH 2 COPPER NAILS. SEAL THE OVERLYING ASPHALT SHINGLES TO THE STEP FLASHING WITH ASPHALTIC PLASTIC CEMENT.

DO NOT SAW CUT STONES FOR THE COPPER COUNTER FLASHING INSTALLATION. REUSE THE THE EXISTING COUNTER FLASHING LOCATIONS.

WRAP CORNERS OF COPPER BASE FLASHING AT LEAST 3"



2 CHIMNEY FLASHING DETAIL
2 NDT TO SCALE

SHINGLE INSTALLATION

START AT EITHER RAKE AND LAY IN EITHER DIRECTION

FIRST COURSE:

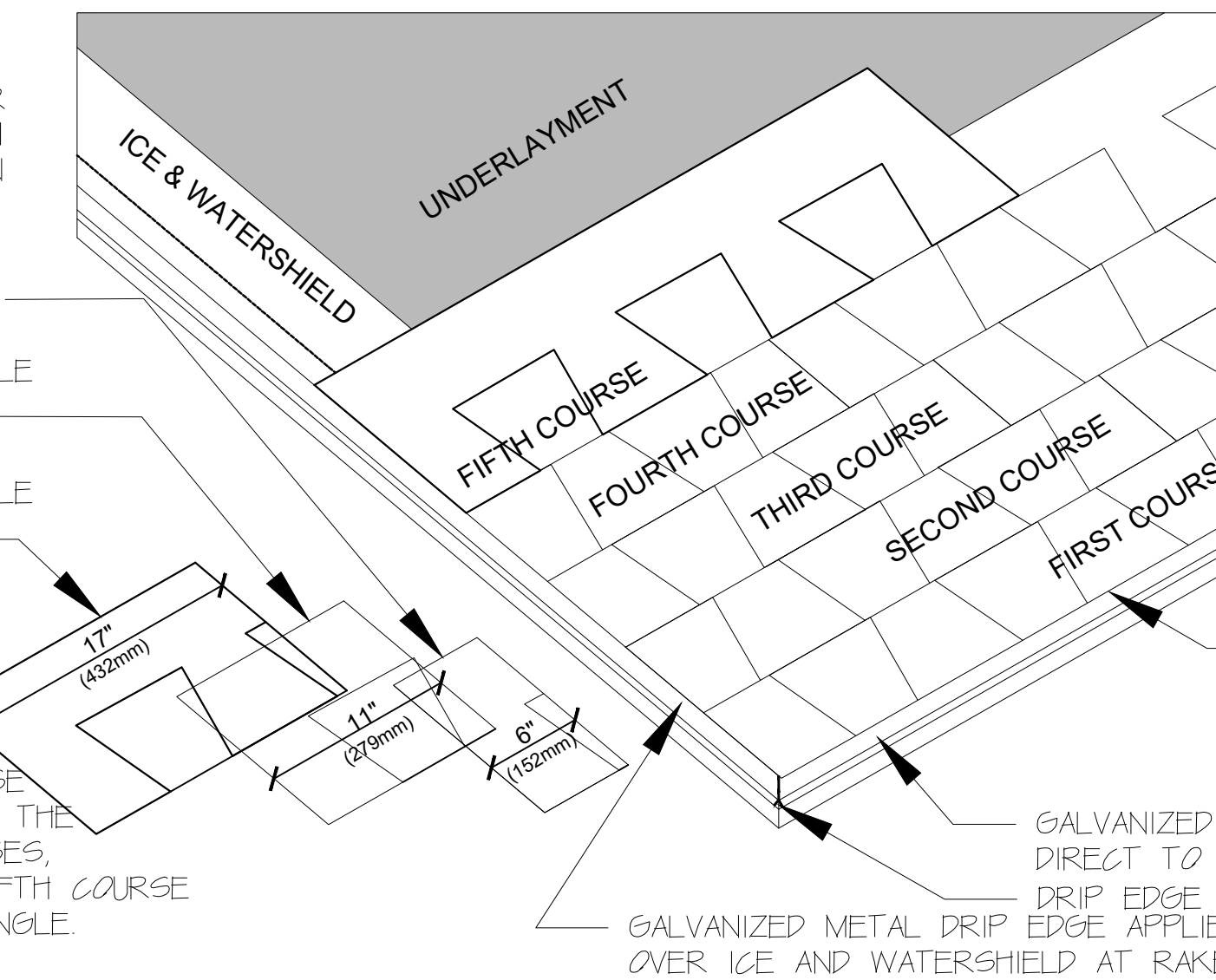
START WITH FULL SHINGLE

SECOND COURSE:
TRIM 6" (152MM) OFF FIRST SHINGLE

THIRD COURSE:
TRIM 11" (279MM) OFF FIRST SHINGLE

FOURTH COURSE:
TRIM 17" (432MM) OFF FIRST SHINGLE

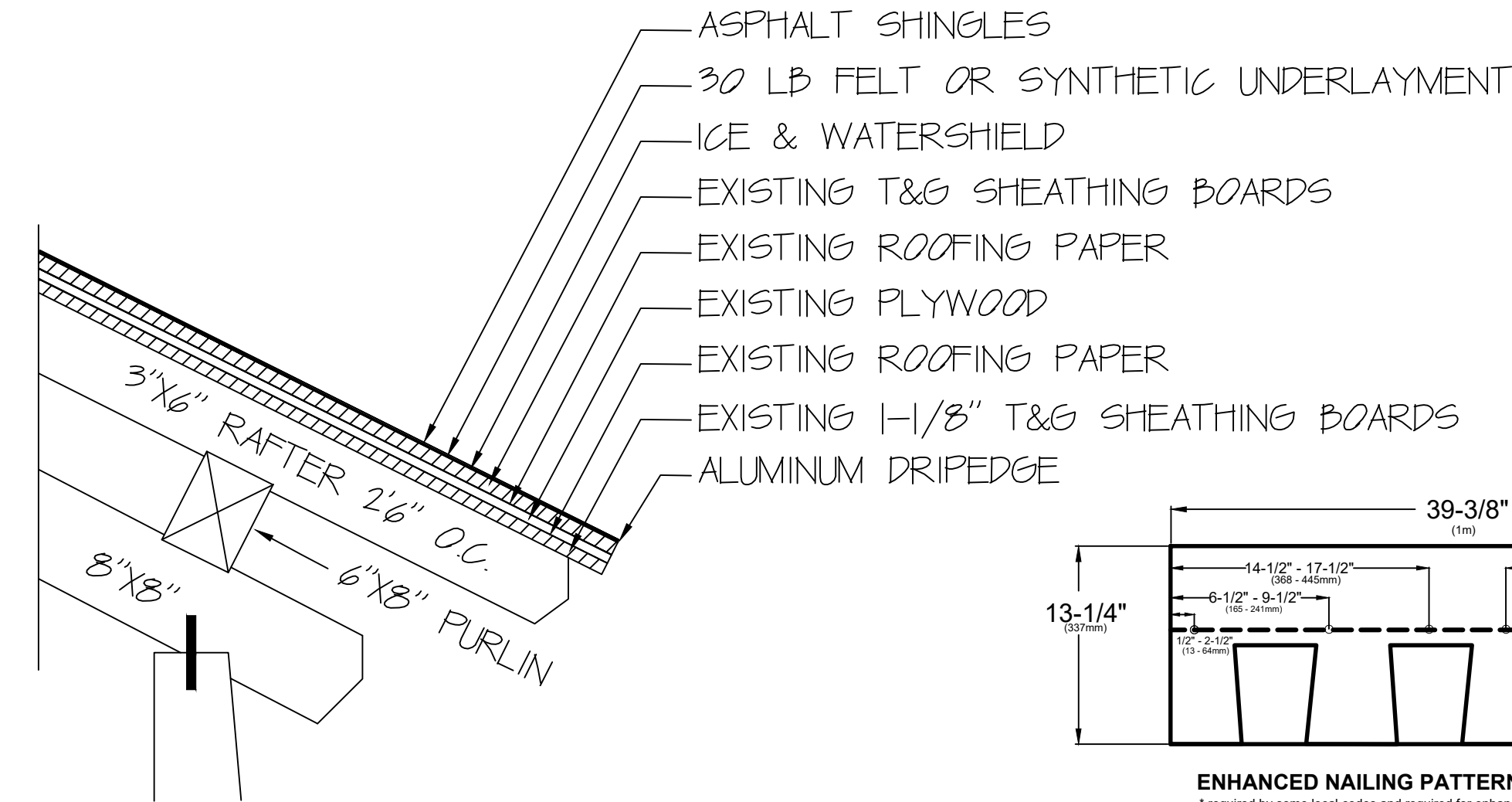
REMAINING COURSES:
REPEAT THE 1ST - 4TH COURSE INSTRUCTIONS ON THE REMAINING COURSES, STARTING THE FIFTH COURSE WITH A FULL SHINGLE.



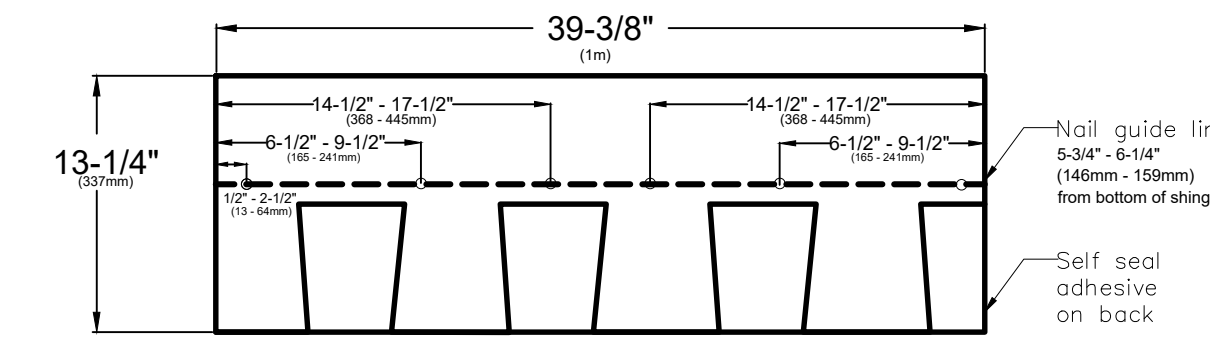
NOTES:

1. CONTINUE EACH COURSE WITH WHOLE SHINGLES.
2. STRIKE A CHALK LINE ABOUT EVERY 6 COURSES TO CHECK PARALLEL ALIGNMENT WITH EAVES.

3 SHINGLE INSTALLATION DETAILS
2 NDT TO SCALE



4 ROOF SECTION
2 NDT TO SCALE



5 GAF ENHANCED NAILING PATTERN - six nails per shingle*
* required by some local codes and required for enhanced wind coverage on certain products. See limited warranty for details.

- NOTES:
1. STRIP AND REMOVE ALL ASPHALT SHINGLE ROOFING MATERIALS IN AREAS AS INDICATED.
 2. INSPECT AND REPAIR WOOD ROOF DECK.
 3. INSTALL ALUMINUM DRIP EDGE.
 4. INSTALL ICE & WATERSHIELD.
 5. INSTALL 30 LB FELT OR SYNTHETIC ROOF UNDERLAYMENT OVER ENTIRE ROOF DECK.
 6. INSTALL ASPHALT SHINGLES AND RIDGE CAP SHINGLES.

ASPHALT SHINGLE ROOF REPLACEMENT
ADMINISTRATION BUILDING

DATE: AUG 11, 2022

PROJECT # CAP-2204

APPROVED BY: ED MUSSEY

SCALE: 1/4"=1'-0"



STATE OF NEW HAMPSHIRE
DEPARTMENT OF NATURAL AND CULTURAL RESOURCES
PLANNING AND DEVELOPMENT SECTION
MOOSE BROOK STATE PARK
GORHAM, NEW HAMPSHIRE