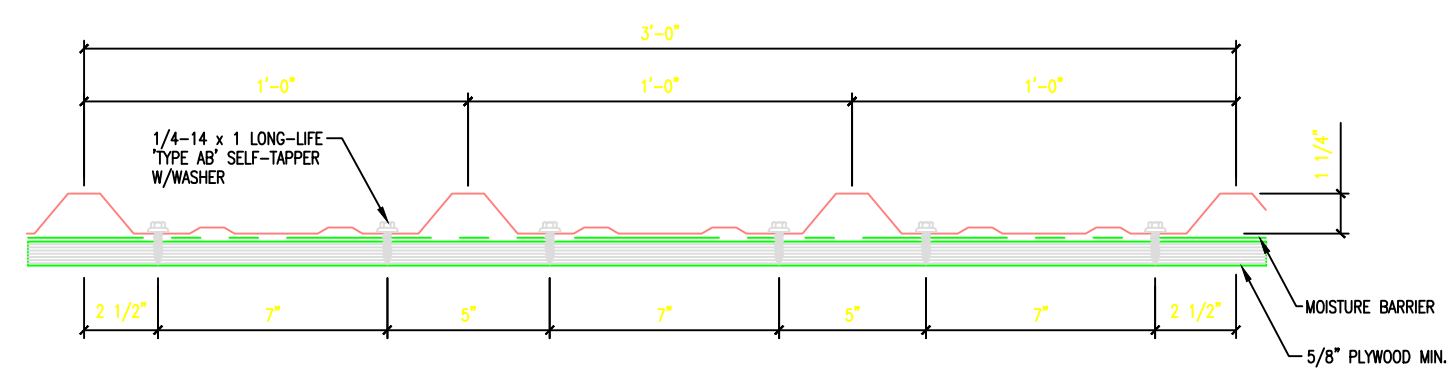
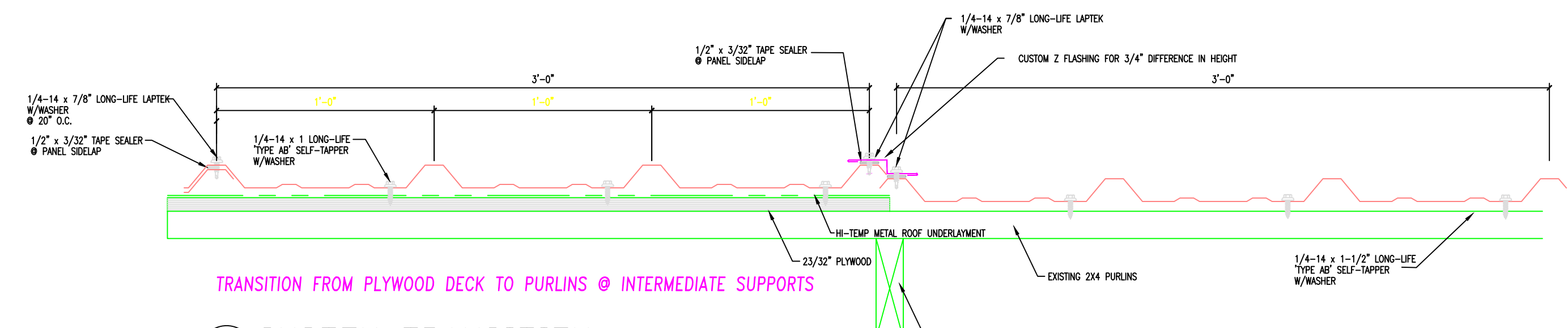


1 PBR FASTENER SPACING @ INTERMEDIATE SUPPORTS



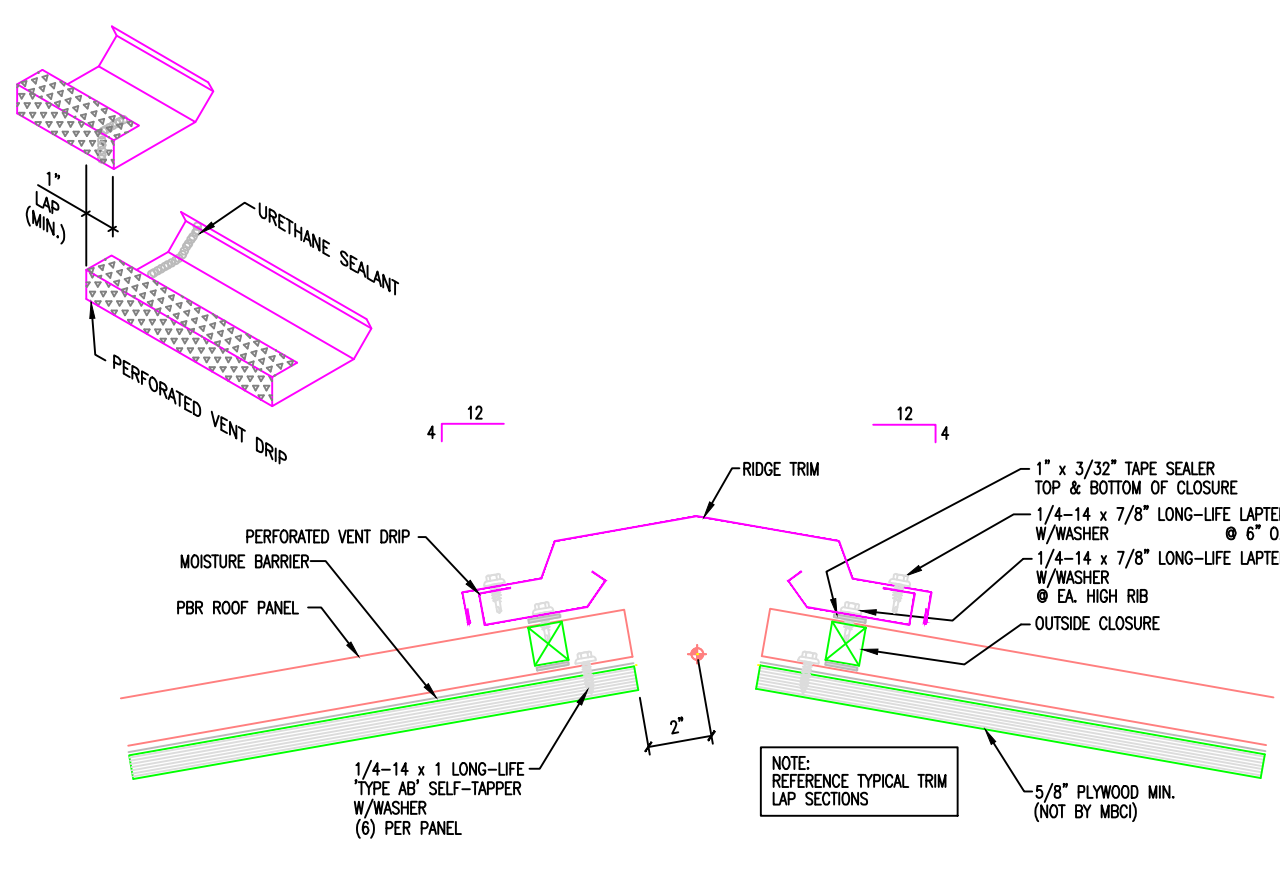
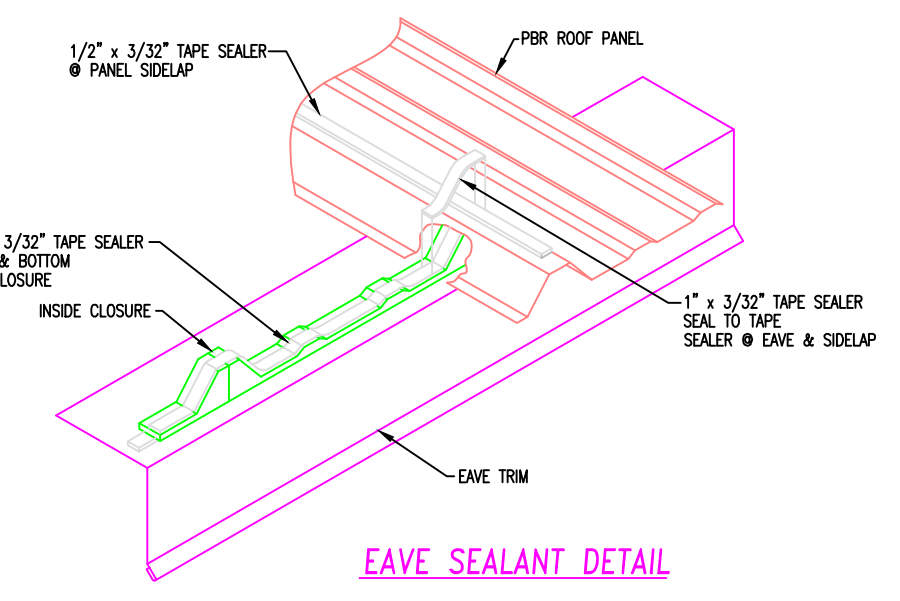
2 PBR FASTENER SPACING @ PANEL ENDS

1 PBR PANEL FASTENER SPACING OVER WOOD DECK (TYPICAL)
2 NOT TO SCALE

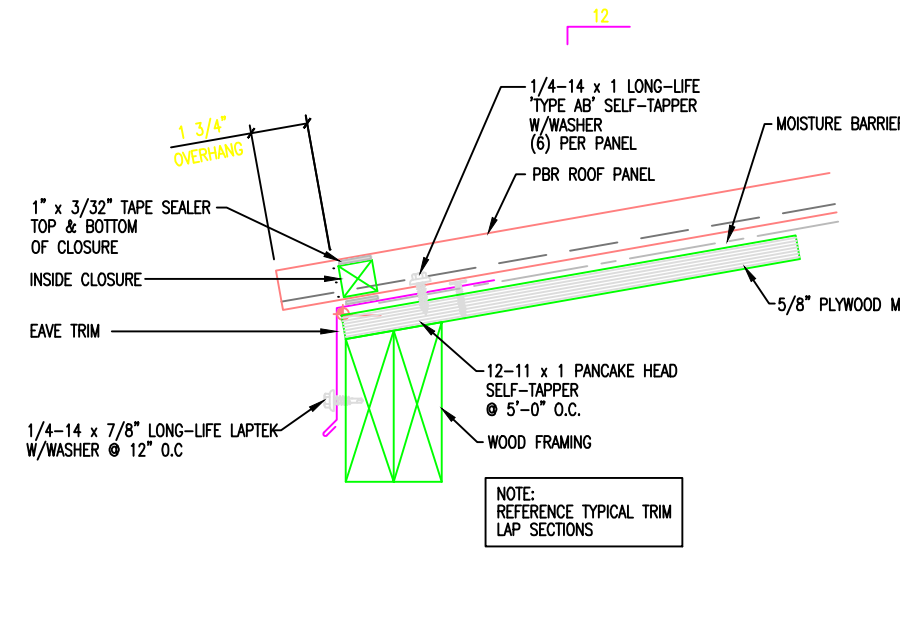


3 TRANSITION FROM PLYWOOD DECK TO PURLINS @ INTERMEDIATE SUPPORTS

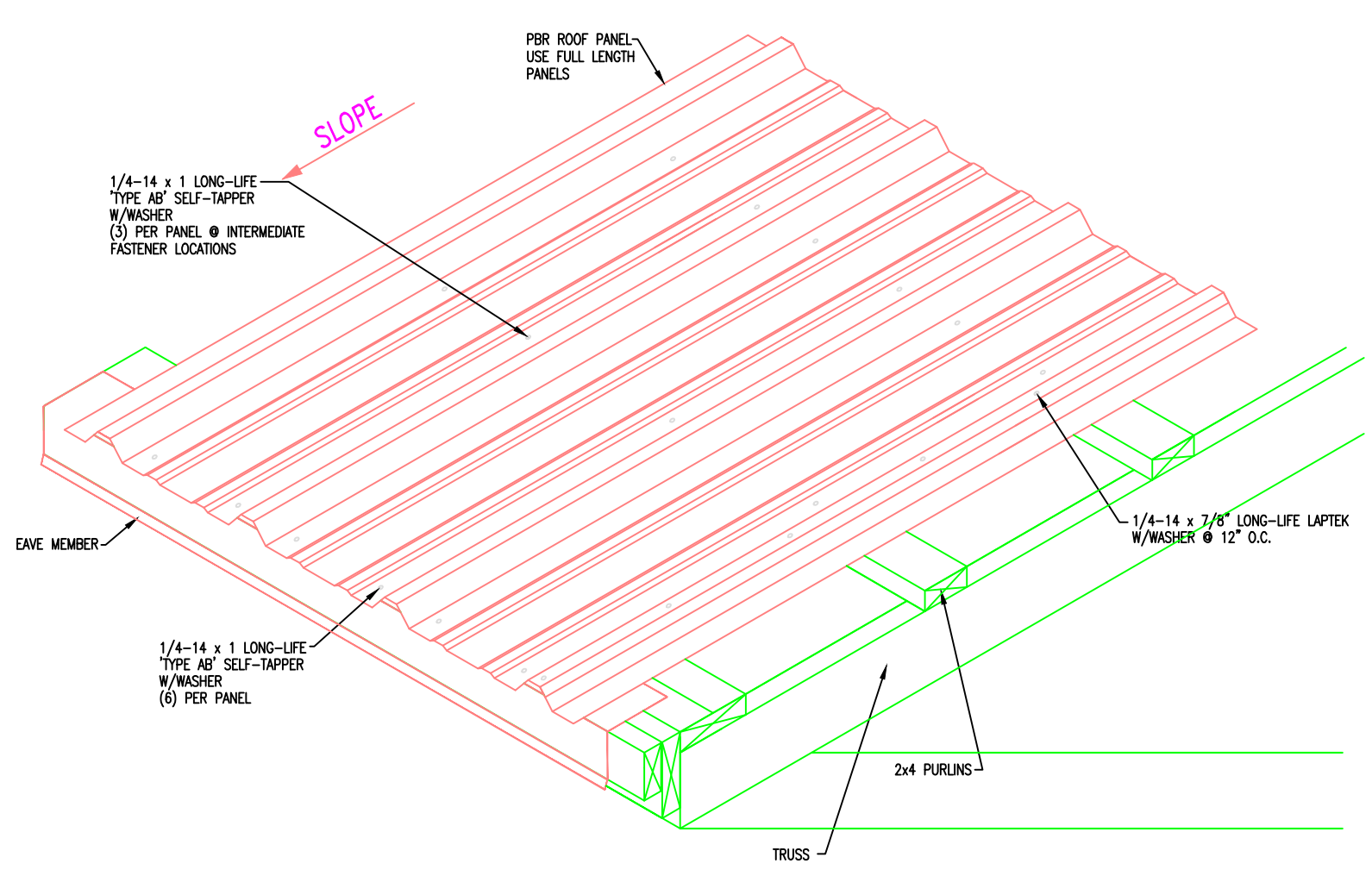
2 CUSTOM TRANSITION
2 NOT TO SCALE



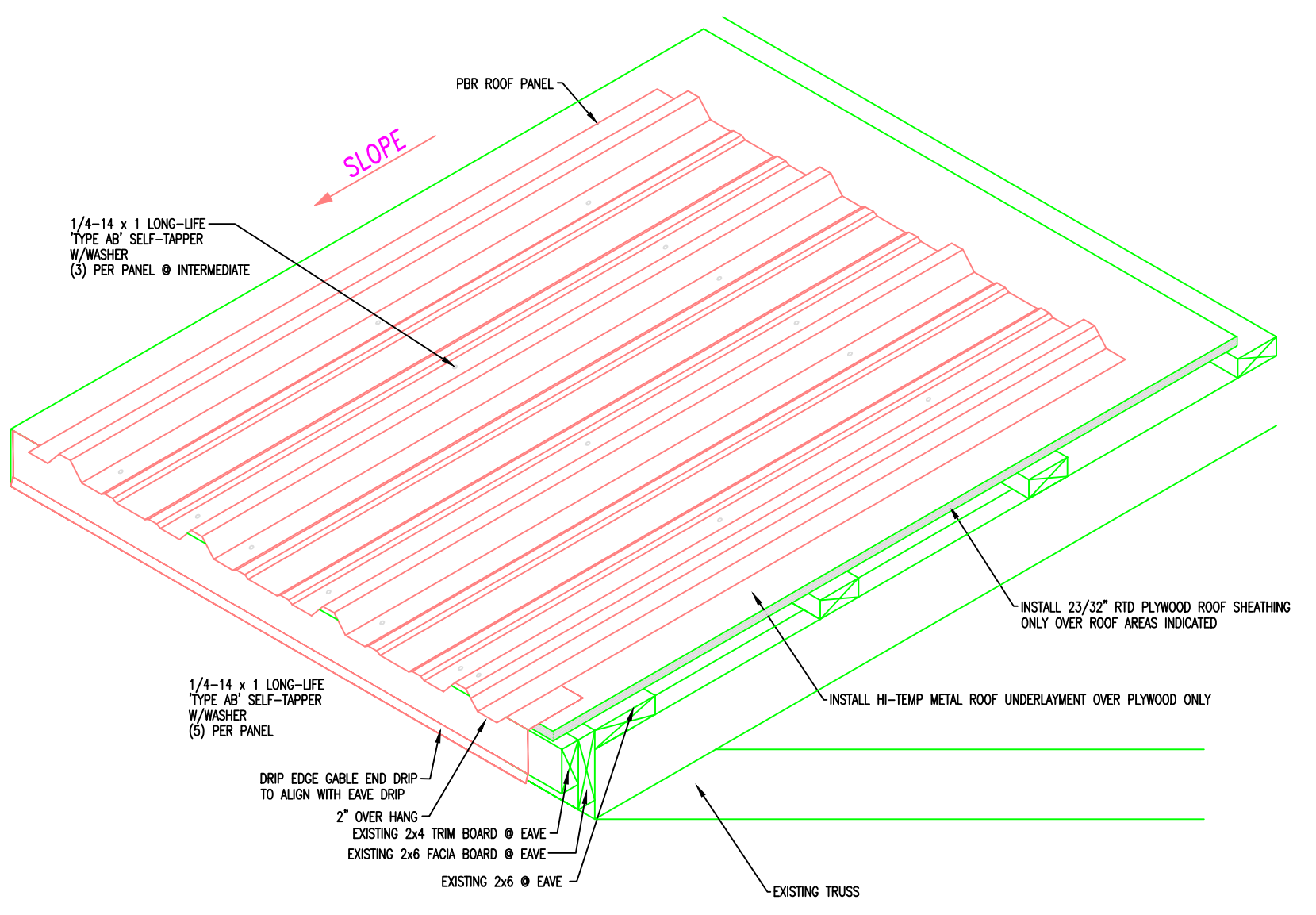
4 RIDGE VENT DETAIL
2 NOT TO SCALE



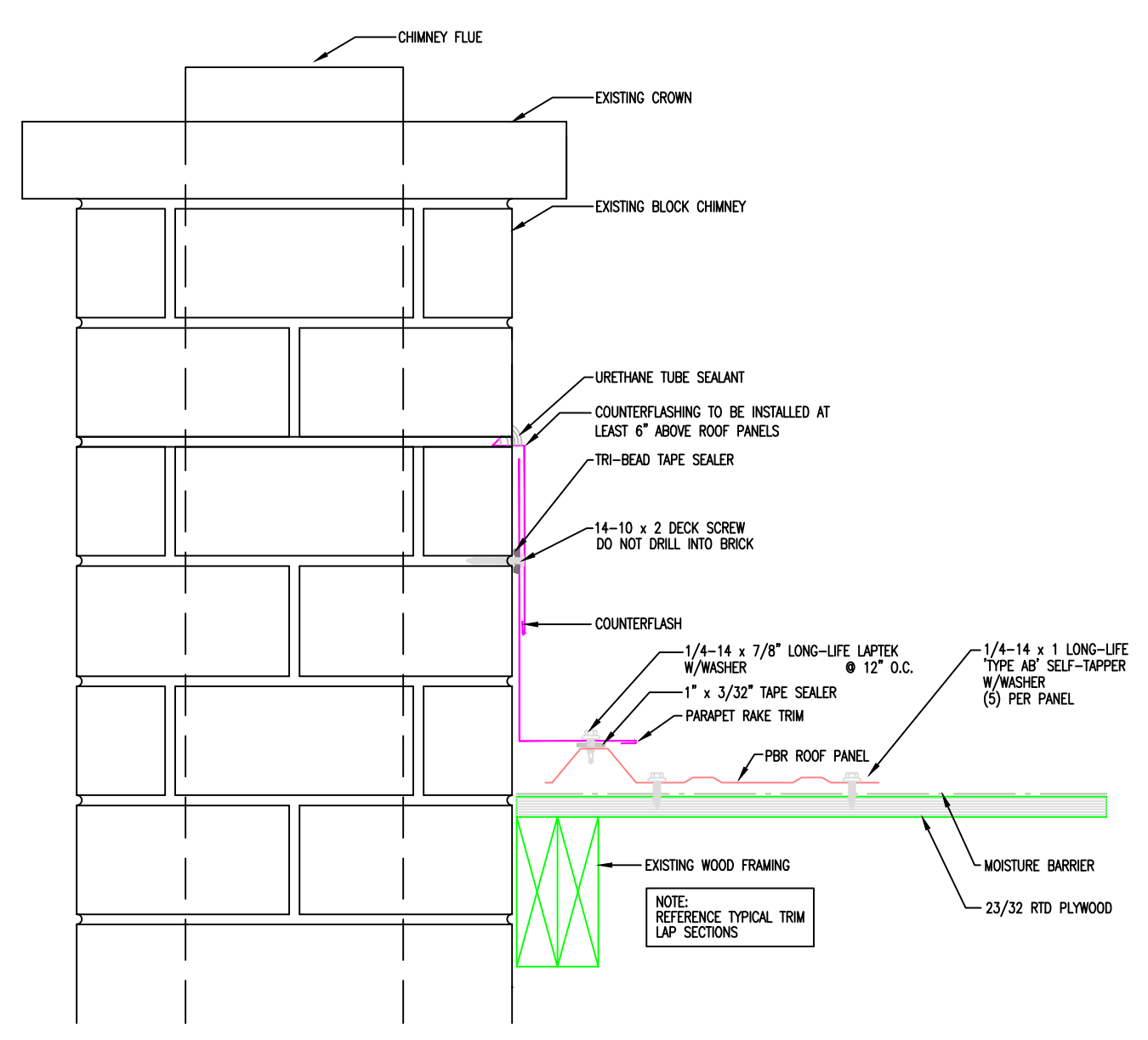
5 EAVE CLOSURE DETAIL
2 NOT TO SCALE



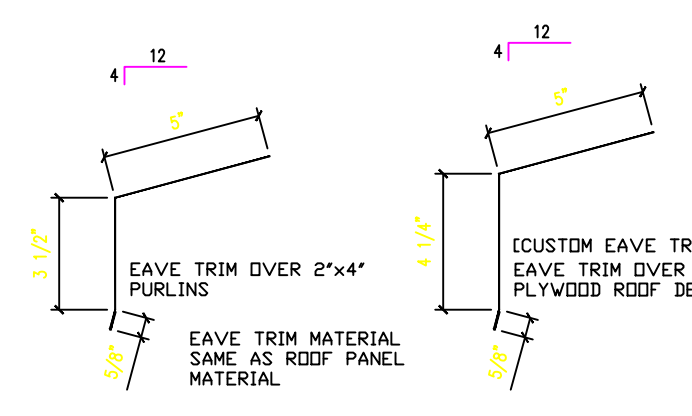
3 EAVE DETAILS
2 NOT TO SCALE



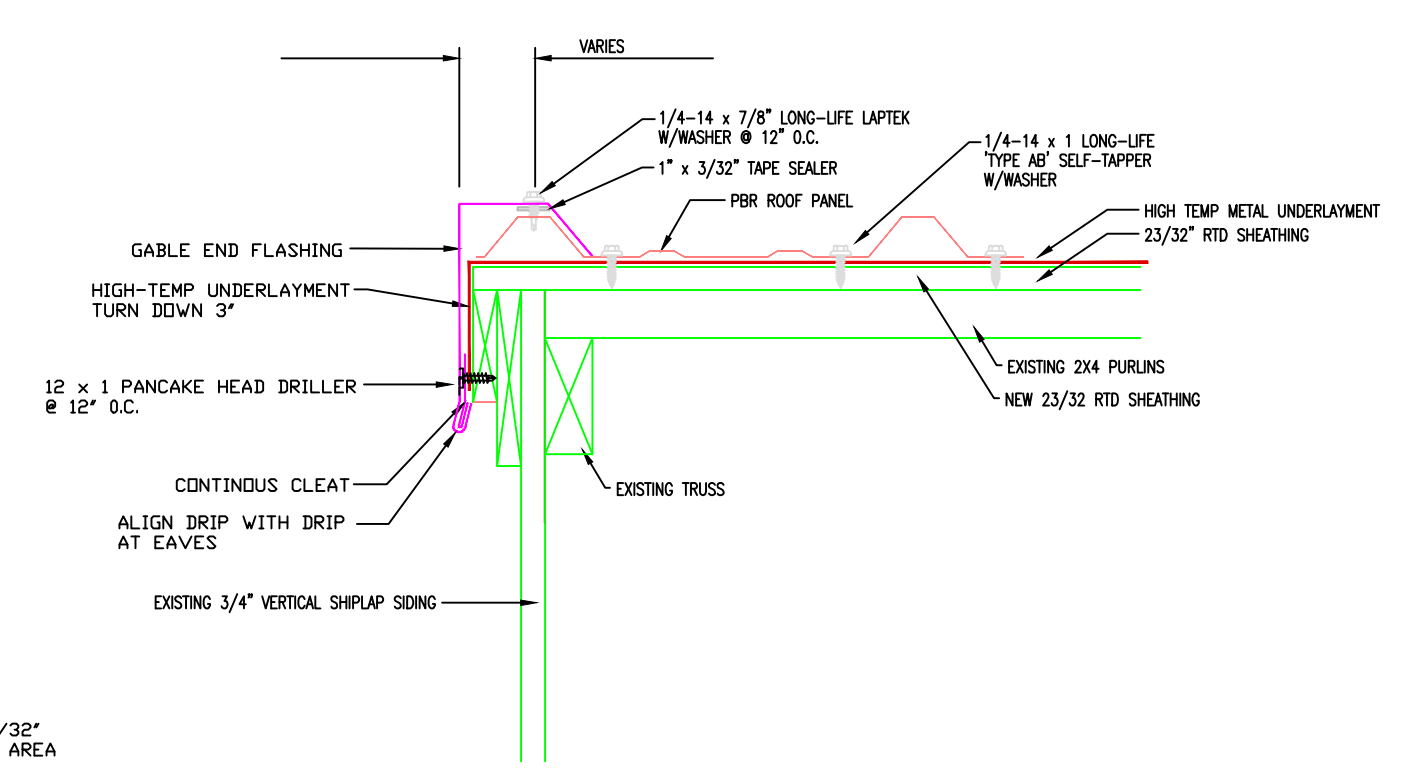
6 EAVE DETAILS OVER PLYWOOD ROOF DECK
2 NOT TO SCALE



7 CHIMNEY FLASHING DETAILS
2 NOT TO SCALE



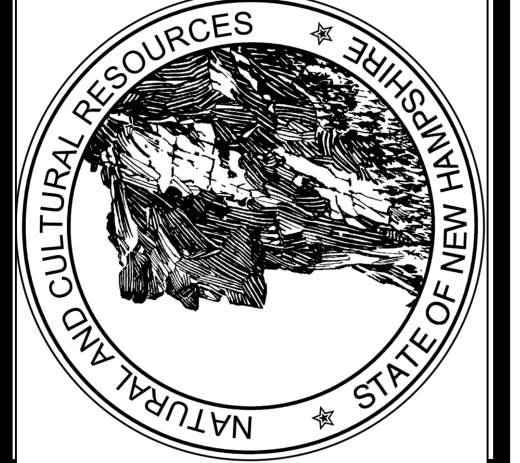
8 EAVE TRIM DETAIL
2 NOT TO SCALE



9 GABLE END TRIM DETAIL
2 NOT TO SCALE

- NOTES:
1. STRIP AND REMOVE ALL ROOFING MATERIALS.
 2. INSPECT AND REPAIR WOOD PURLINS.
 3. INSTALL RTD SHEATHING IN AREAS INDICATED.
 4. INSTALL HI-TEMP METAL ROOF UNDERLAMENT OVER SHEATHING.
 5. INSTALL LIGHT TRANSMITTING PANELS IN AREAS INDICATED.
 6. INSPECT & REPAIR CHIMNEY IF NECESSARY.
 7. INSTALL NEW METAL ROOF PANELS.

METAL ROOF ROOF REPLACEMENT POLE BARNs NH002 & NH003		DATE: JUL 11, 2023
PROJECT # CAP-221B	APPROVED BY: ED MUSSEY	SCALE:
DRAWN BY: ED MUSSEY		



STATE OF NEW HAMPSHIRE
DEPARTMENT OF NATURAL AND CULTURAL RESOURCES
DESIGN DEVELOPMENT & MAINTENANCE SECTION
NORTH COUNTRY RESOURCES CENTER
LANCASTER, NEW HAMPSHIRE