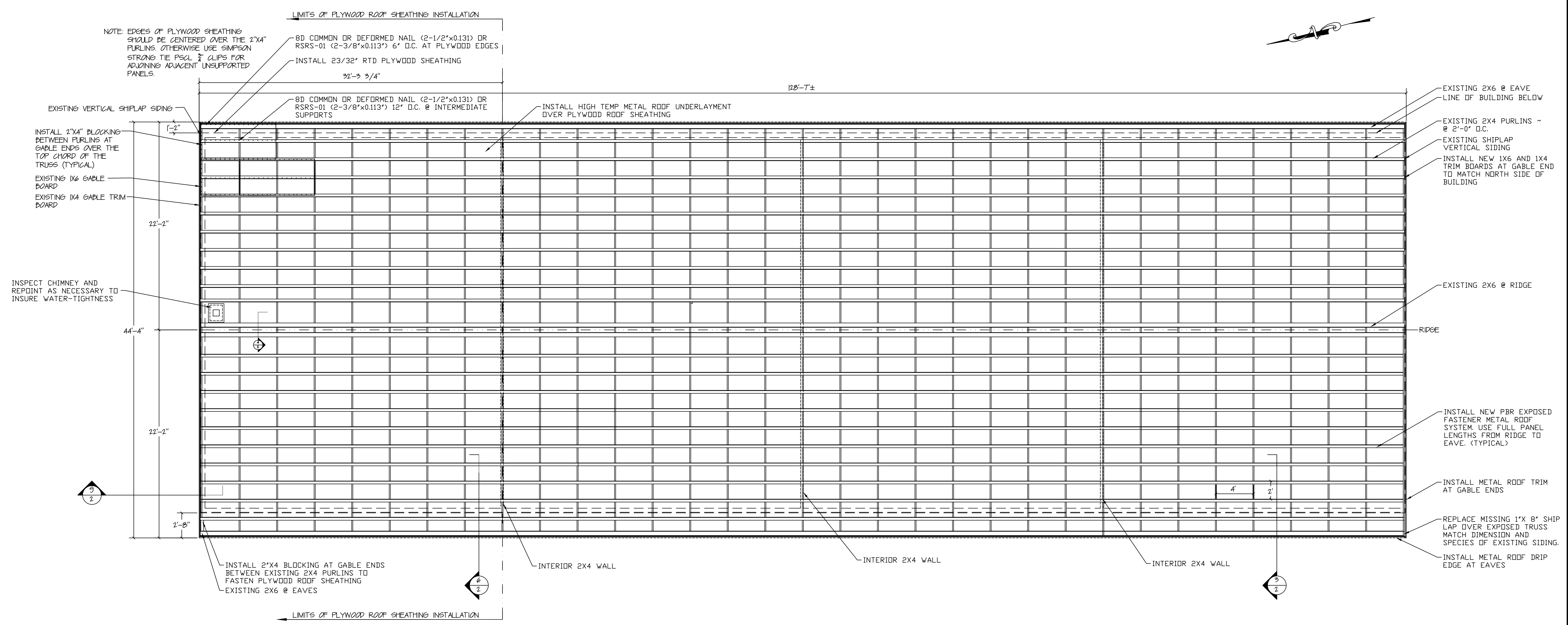
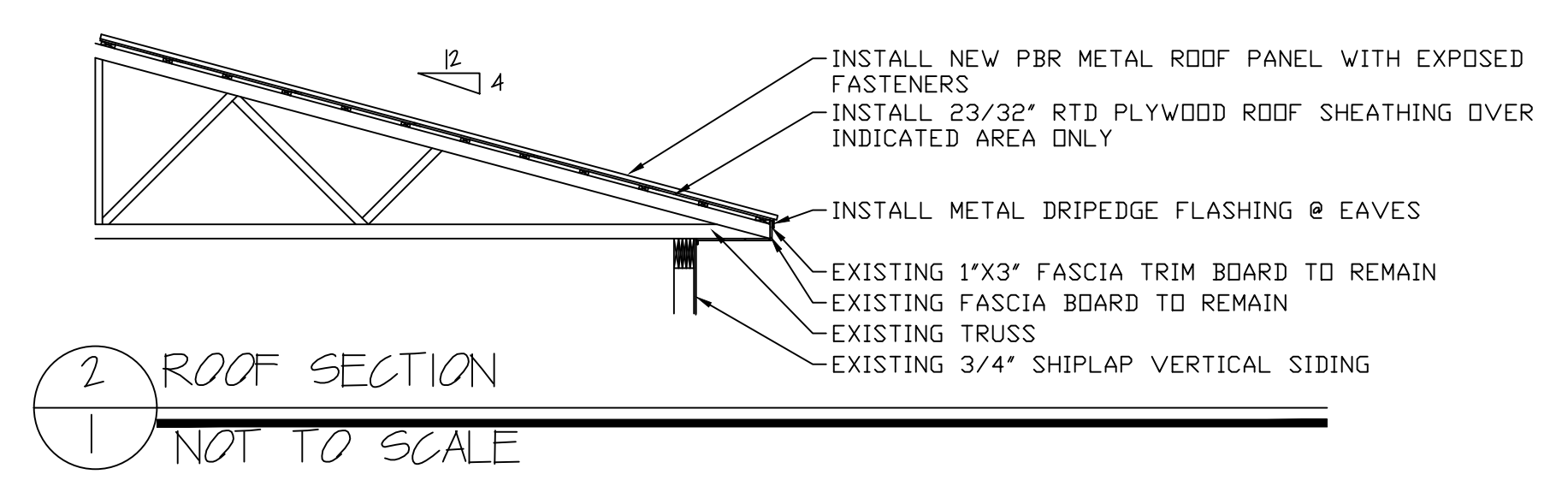


PROJECT NO. CAP-2403
 METAL ROOF REPLACEMENT FOR THE POLE BARN NHQ02
 AT THE NORTH COUNTRY RESOURCES CENTER
 629 MAIN ST. LANCASTER, NH 03584

- NOTES:
 1. STRIP AND REMOVE ALL ROOFING MATERIALS.
 2. INSPECT AND REPAIR WOOD PURLINS.
 3. INSTALL RTD SHEATHING IN AREAS INDICATED.
 4. INSTALL HI-TEMP METAL ROOF UNDERLAYMENT OVER SHEATHING.
 5. INSTALL NEW METAL ROOF PANELS.
 6. INSPECT & REPAIR CHIMNEY IF NECESSARY.



1 NHQ02 POLE BARN ROOF PLAN
 3/16" = 1'-0"



METAL ROOF REPLACEMENT POLE BARN NHQ02	DATE: JUL 11, 2023	SCALE: 3/16" = 1'-0"
	PROJECT # CAP-2403	
APPROVED BY: EDWARD MUSSEY	DRAWN BY: EDWARD MUSSEY	



STATE OF NEW HAMPSHIRE
 DEPARTMENT OF NATURAL AND CULTURAL RESOURCES
 DESIGN, DEVELOPMENT & MAINTENANCE SECTION
 NORTH COUNTRY RESOURCES CENTER
 LANCASTER, NEW HAMPSHIRE