

PARTS LIST		
PART NO.	DESCRIPTION	QTY.
628276	MATT CR POST #1 BOTTOM	1
628271	6'0POST/W6X8.5/7/S PL/SYT	4
628285	MATT CR POST #1 TOP	1
628280	MATT DOUBLE SPACER	2
628281	MATT SINGLE SPACER	6
628279	MATT ANGLE GROUND STRUT	1
003340	5/8" GR HEX NUT	36
033909	CRP-CBL BRKT FOR CRP PST	1
119506	CBL 3/4X7'5"/DBL SWG	1
003910	1" HEX NUT A563	2
628289	MATT 12G TRANS,W FIN-4	2
628337	MATT 12G INT,W FIN-3	4
628274	MATT 12G,W/O FIN-2	2
628342	MATT IMPACT HEAD	1
628275	MATT HEAD TUBE	1
628339	MATT 10G HEAD RAIL	2
628338	MATT BACKING PLATE	8
118614	BOLT,RAIL,5/8X2,A325/G5,G	62
118615	WASHER,FLAT,5/8,THICK,G	62
003361	5/8" HVY HEX NUT A563 DH	66
003360	5/8"X1.25" GR BOLT	16
003391	5/8"X1.75" HEX BOLT A325	6
004211	5/16"X1.75 HXBTA307 1-1/8	2
003240	WASHER,FLAT,5/16 W,TY A,G	2
003245	5/16" HEX NUT A563	2
628348	MATT STRUT ADAPTER PLATE	1
628347	MATT 10G FRONT,W/O FIN-1	2
004902	1" ROUND WASHER F436	10
004372	WASHER,FLAT,5/8,HRD,TY1,G	8
003403	5/8"X2" HEX BOLT A307	6
628270	6'0 POST/W6X8.5/7/S PL	1
003500	5/8"X10" GR BOLT A307	2
113660	BOLT,HX,5/8X3 1/2,G5,G	10
628273	1/4"X18"X24" SOIL PL/4 H	2
628269	1/4"X15"X17" SOIL PL/MULT	4
118009	WASHER,FLAT,1/2X1 3/8,G	8
115939	NUT,HX,1/2,A563,G	4
113457	BOLT,HX,1/2X1 1/2,G2,G	4
VARIOUS	8" NOM DEPTH COMPOSITE BLOCKS	2
SEE TABLE	OPTIONAL DELINEATION	REF

TABLE	
PART NO.	DESCRIPTION
105379 REF	25X25 BLK/YEL MEDIAN
105380 REFL	25X25 BLK/YEL GORE

- NOTES:
- PROPER SITE GRADING MUST BE ACCOMPLISHED BEFORE ASSEMBLY AND IN ACCORDANCE WITH STATE/SPECIFYING AGENCY GUIDELINES AND/OR THE AASHTO ROADSIDE DESIGN GUIDE.
 - GUARDRAIL INSTALLATION HEIGHT TO BE 31" ABOVE FINISHED GRADE, +1", -0".
 - PRIOR TO TIGHTENING HARDWARE PUSH IMPACT HEAD UNTIL P/N 628275 TOUCHES UPPER PORTION OF POST 1.
 - ENSURE 004902 IS APPROXIMATELY CENTERED WITH P/N 118614 PRIOR TO TIGHTENING
 - THE INTEGRATED FINS IN THE PROVIDED MATT™ GUARDRAIL PANELS ARE ALWAYS POSITIONED UPSTREAM.
 - UNDER NO CIRCUMSTANCES SHALL THE GUARDRAIL PANELS WITHIN THE MATT™ BE CURVED OR RADIUS.
 - ALL 62 LOCATIONS OF 118614 MUST BE TORQUED TO 65FT-LBS.
 - ALL FASTENERS NOT REQUIRED TO BE TORQUED SHALL BE TIGHTENED TO A SNUG POSITION WITH A MINIMUM OF 2 BOLT THREADS PROTRUDING BEYOND THE NUT.

DRAWN: R. VENZON	DATE: 1/19/2022	UNLESS OTHERWISE SPECIFIED, DIMENSIONS ARE IN MILLIMETERS (INCH) ACCORDING TO ASME Y14.5-2018 AND QMS-SE-003			
CHECKED: K. WILSON	DATE: 1/28/2022	DO NOT SCALE DRAWING			
REVISION DESCRIPTION	ECO	DATE	REV	BY	CHK
INITIAL RELEASE	7978	-	-	-	-
UPDATE BORDER	8260	10/12/22	A	JM	KL

MATT™

MEDIAN ATTENUATING TREND TERMINAL

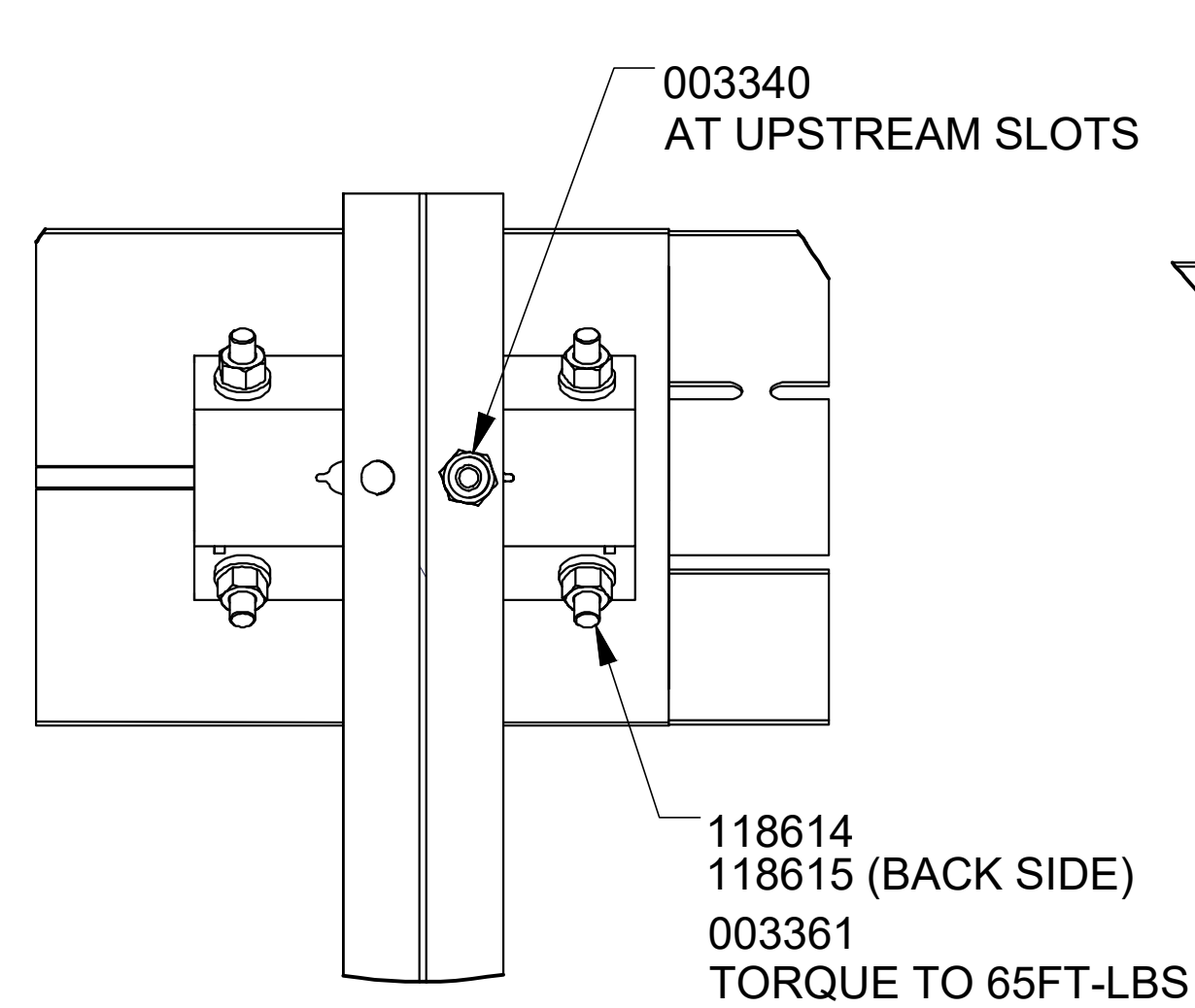
DRAWING: **SS 6288**

REV: **A**

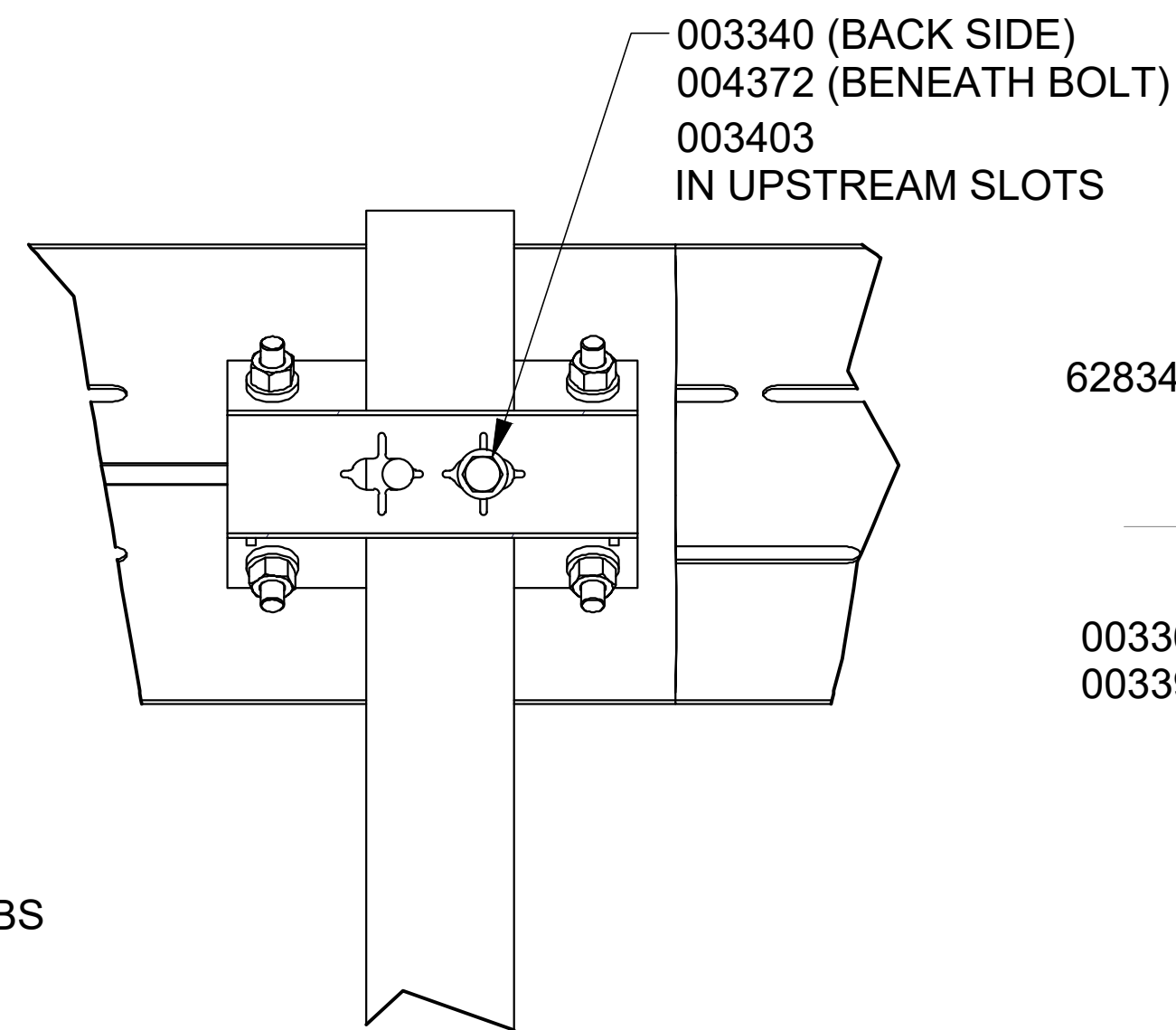
SHEET: **1 of 2**

© Valtir, LLC. All rights reserved.

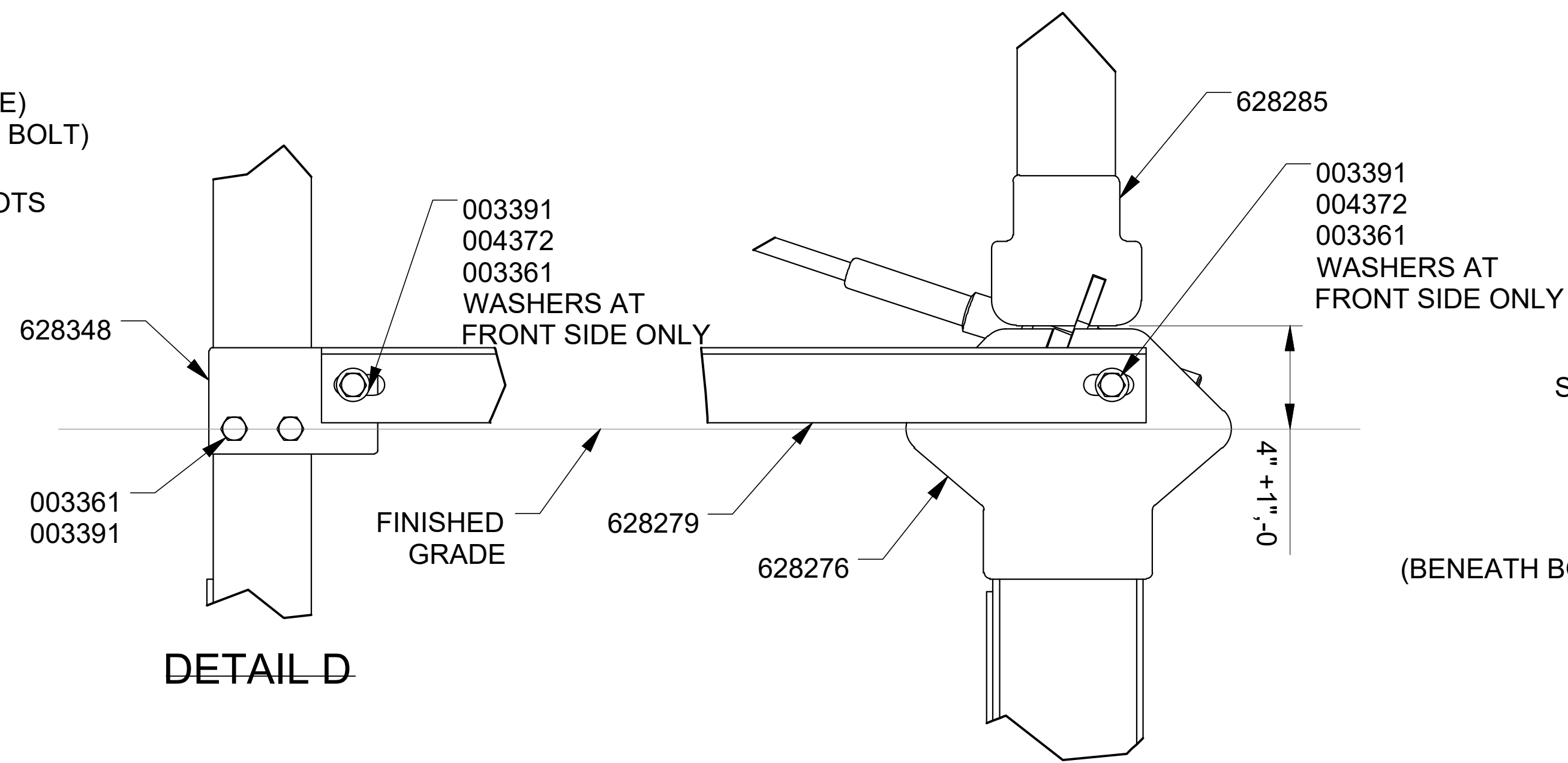
QMS-FE-060 Rev 0, (06/01/2022)



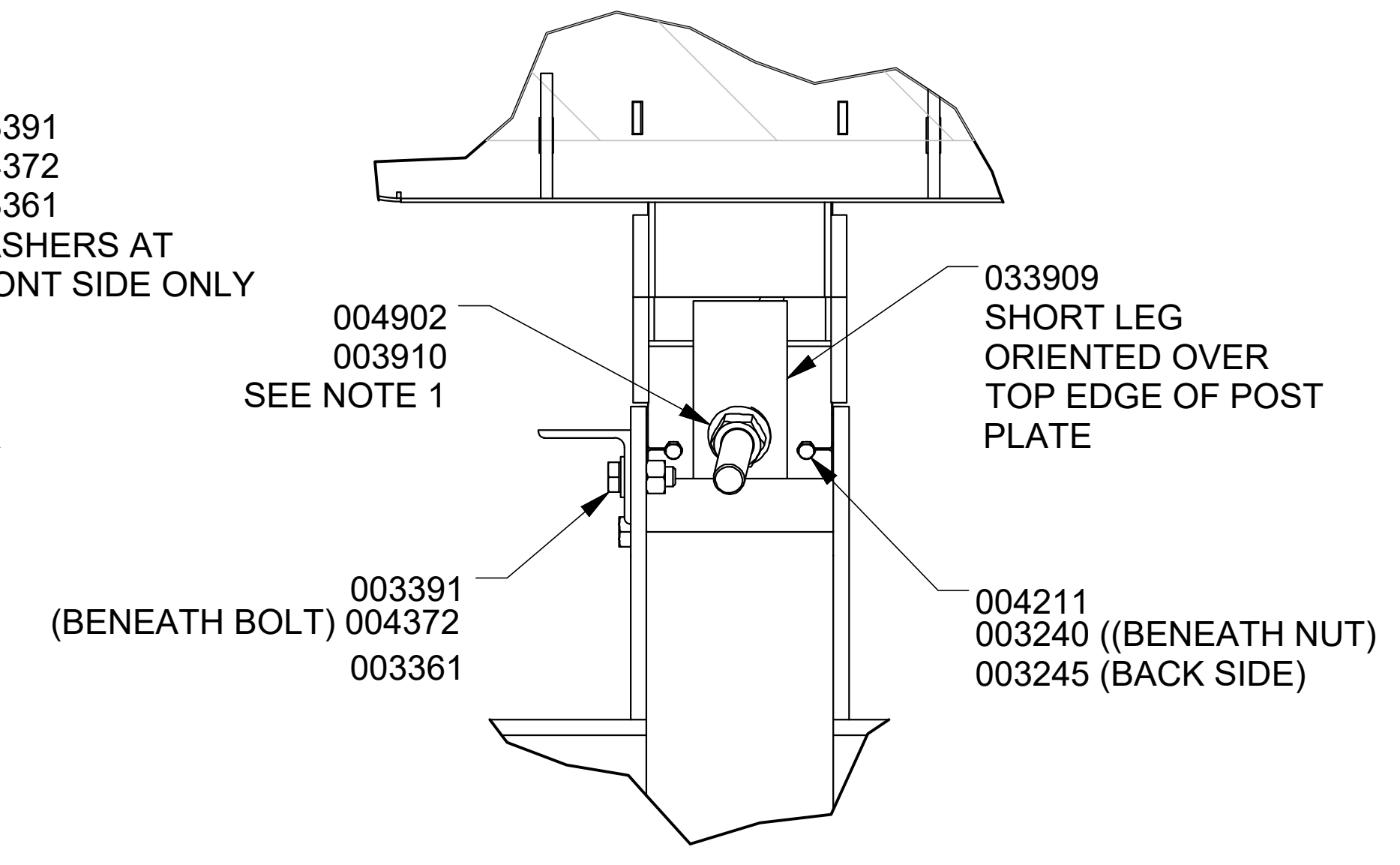
SECTION A-A
TYP AT SINGLE SPACERS ON POSTS 3,4,5
USE UPSTREAM SLOTS ONLY



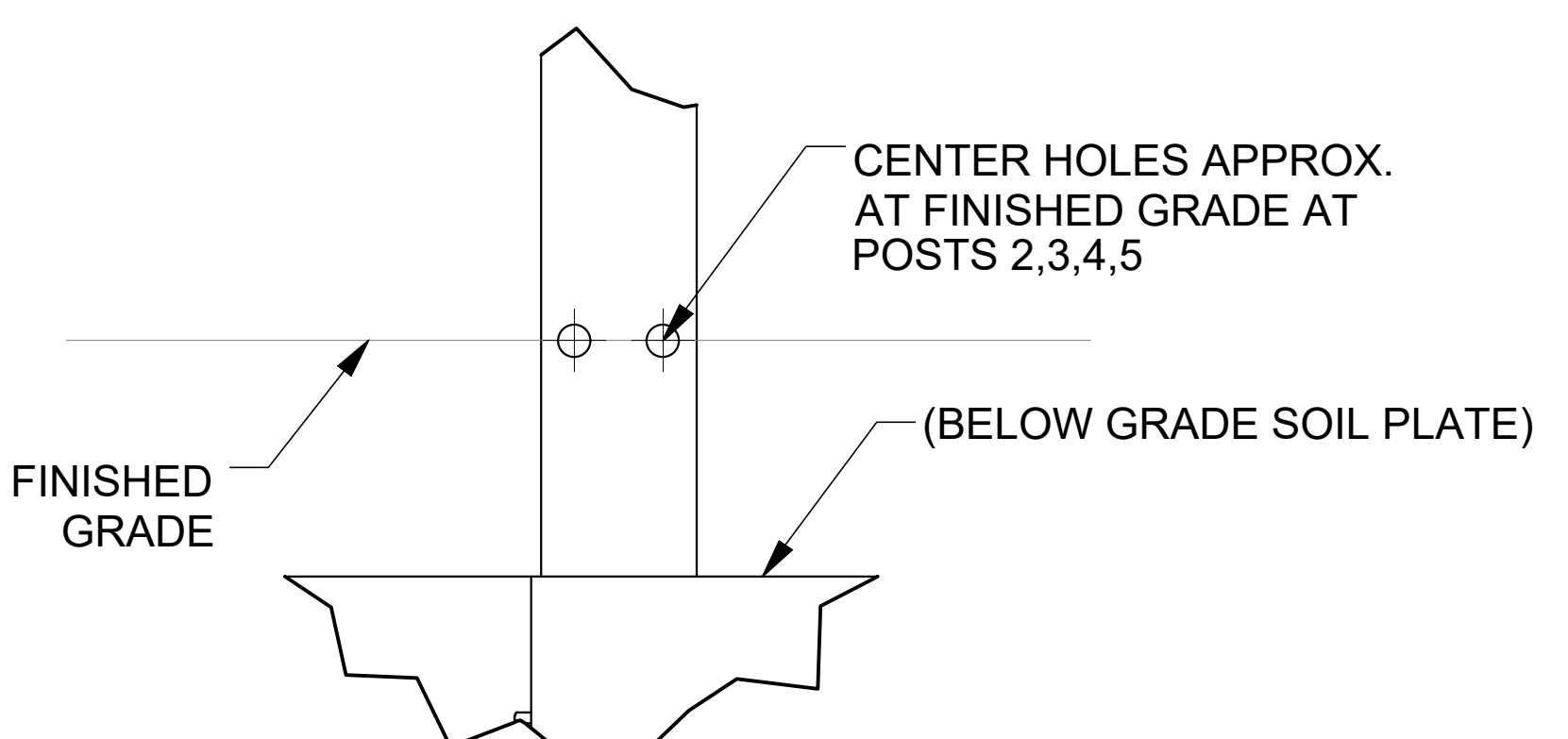
SECTION B-B
TYP AT SINGLE SPACERS ON POSTS 3,4,5
USE UPSTREAM SLOTS ONLY



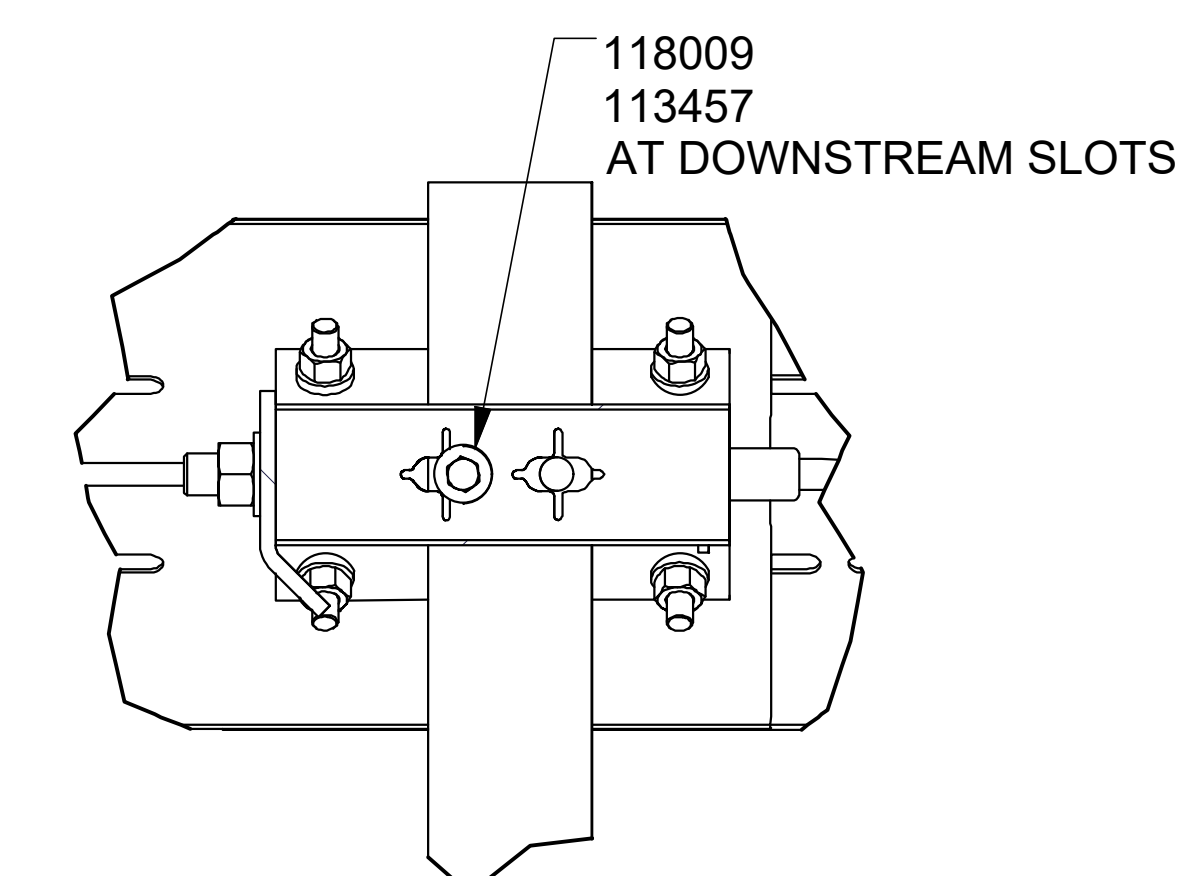
← DOWNSTREAM UPSTREAM →



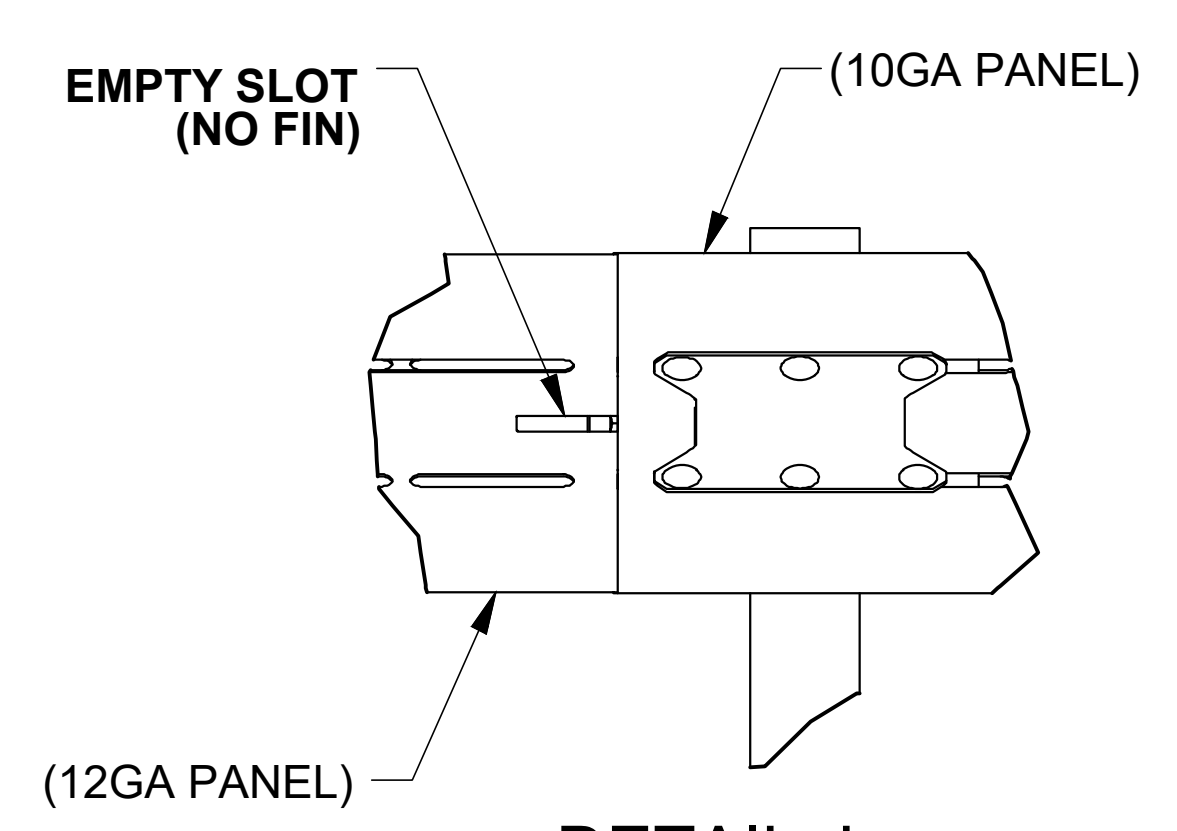
DETAIL E



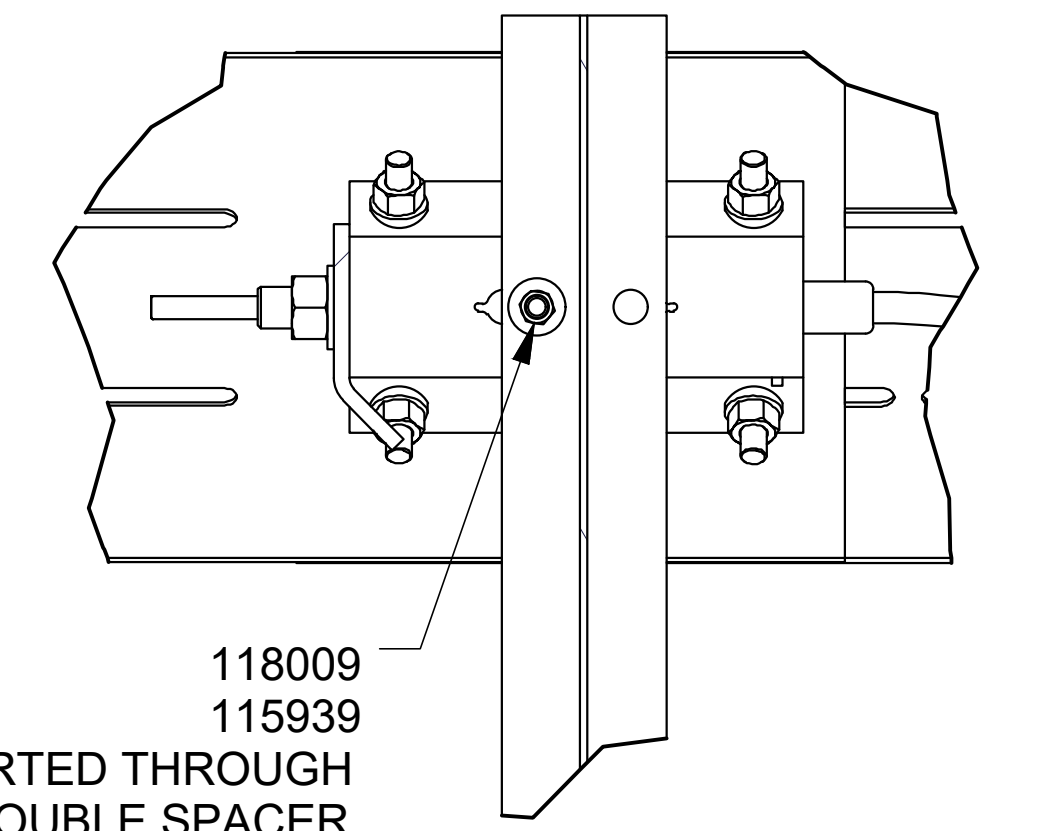
DETAIL F



SECTION H-H
TYP AT DOUBLE SPACER ON POSTS 1 & 2

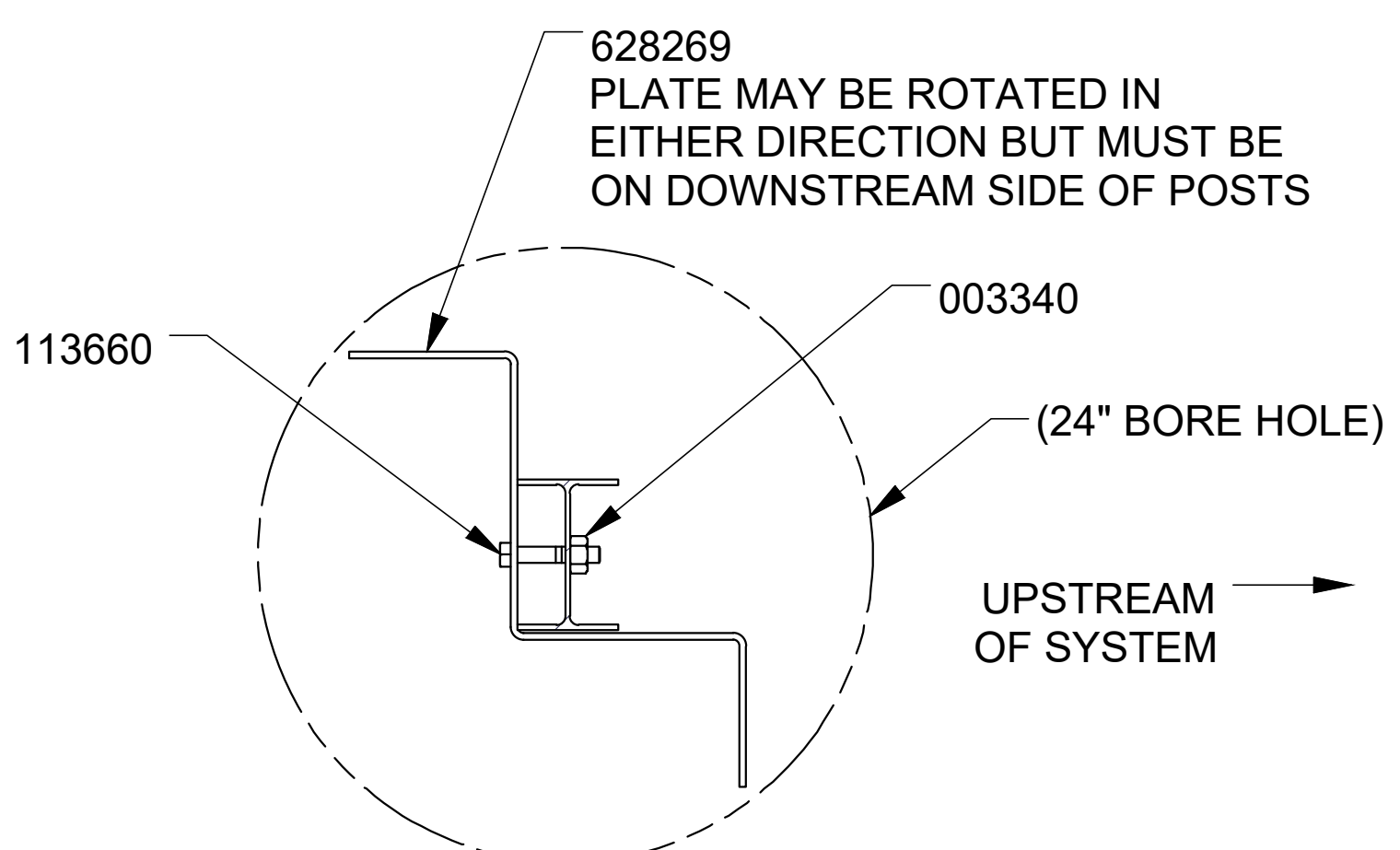


DETAIL J
POST 2 ONLY

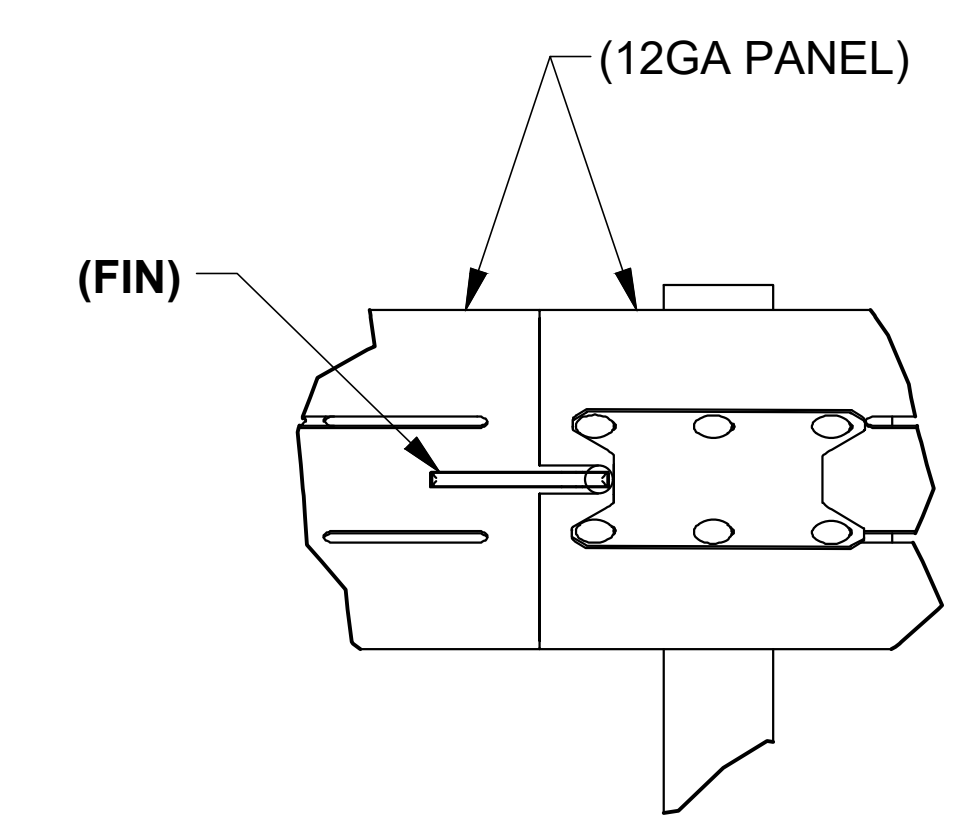


118009
115939
BOLTS TO BE INSERTED THROUGH
DOWNSTREAM SLOT OF DOUBLE SPACER
AND DOWNSTREAM POST HOLE

SECTION G-G
TYP AT DOUBLE SPACER ON POSTS 1 & 2



SECTION I-I
TYP POSTS 3 THRU 6



DETAIL K
TYP AT POSTS 3, 4, 5

- NOTES:**
1. TIGHTEN CABLE UNTIL TAUT. CABLE IS CONSIDERED TAUT WHEN IT DOES NOT DEFLECT MORE THAN 1" WHEN PRESSURE IS APPLIED BY HAND IN AN UP AND DOWN DIRECTION. RESTRAIN THE CABLE WITH PIPE WRENCH OR LOCKING PLIERS WHILE TIGHTENING NUT WITH A WRENCH TO PREVENT CABLE FROM TWISTING.
 2. GUARDRAIL INSTALLATION HEIGHT TO BE 31" ABOVE FINISHED GRADE, +1", -0".
 3. REFER TO MATT™ ASSEMBLY MANUAL FOR ADDITIONAL DETAILS.
 4. ONLY ATTACH THE MATT™ DIRECTLY TO OTHER STRONG POST DOUBLE SIDED W-BEAM GUARDRAIL SYSTEMS, SEE MANUAL FOR DETAILS.

DRAWN: R. VENZON	DATE: 1/19/2022	UNLESS OTHERWISE SPECIFIED, DIMENSIONS ARE IN MILLIMETERS [INCH] ACCORDING TO ASME Y14.5-2018 AND QMS-SE-003				
CHECKED: K. WILSON	DATE: 1/28/2022	DO NOT SCALE DRAWING				
REVISION DESCRIPTION		ECO	DATE	REV	BY	CHK
INITIAL RELEASE		7978	-	-	-	-
UPDATE BORDER		8260	10/12/22	A	JM	KL

MATT™
MEDIAN ATTENUATING TREND
TERMINAL

DRAWING: **SS 6288**

REV: **A**

SHEET: **2 of 2**