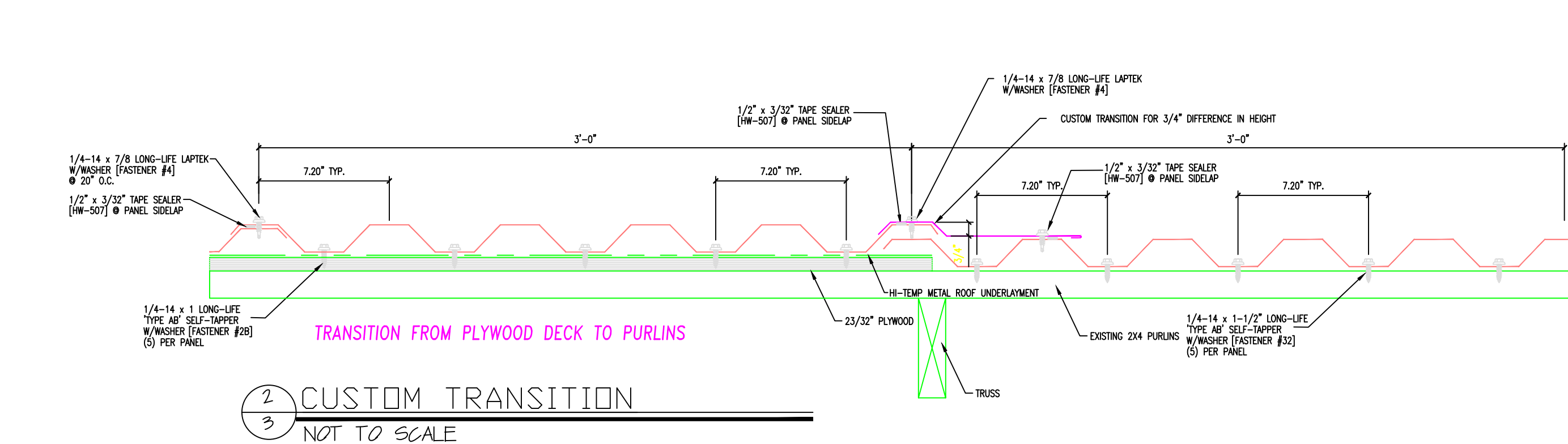
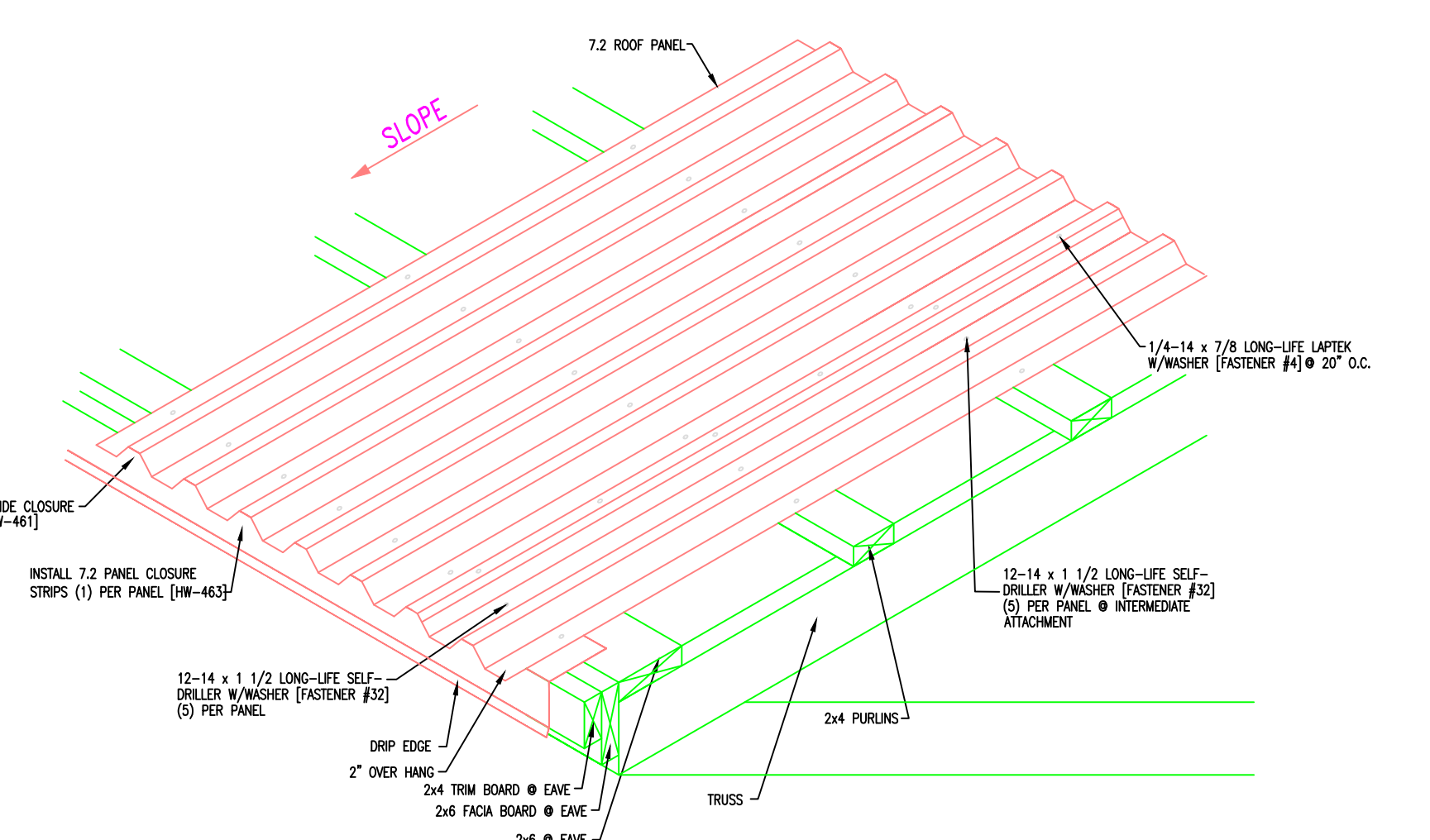


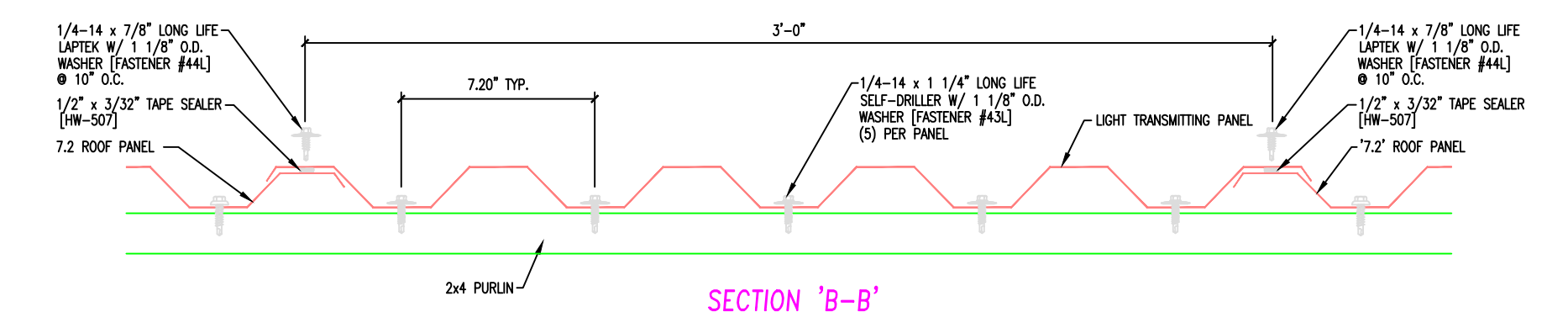
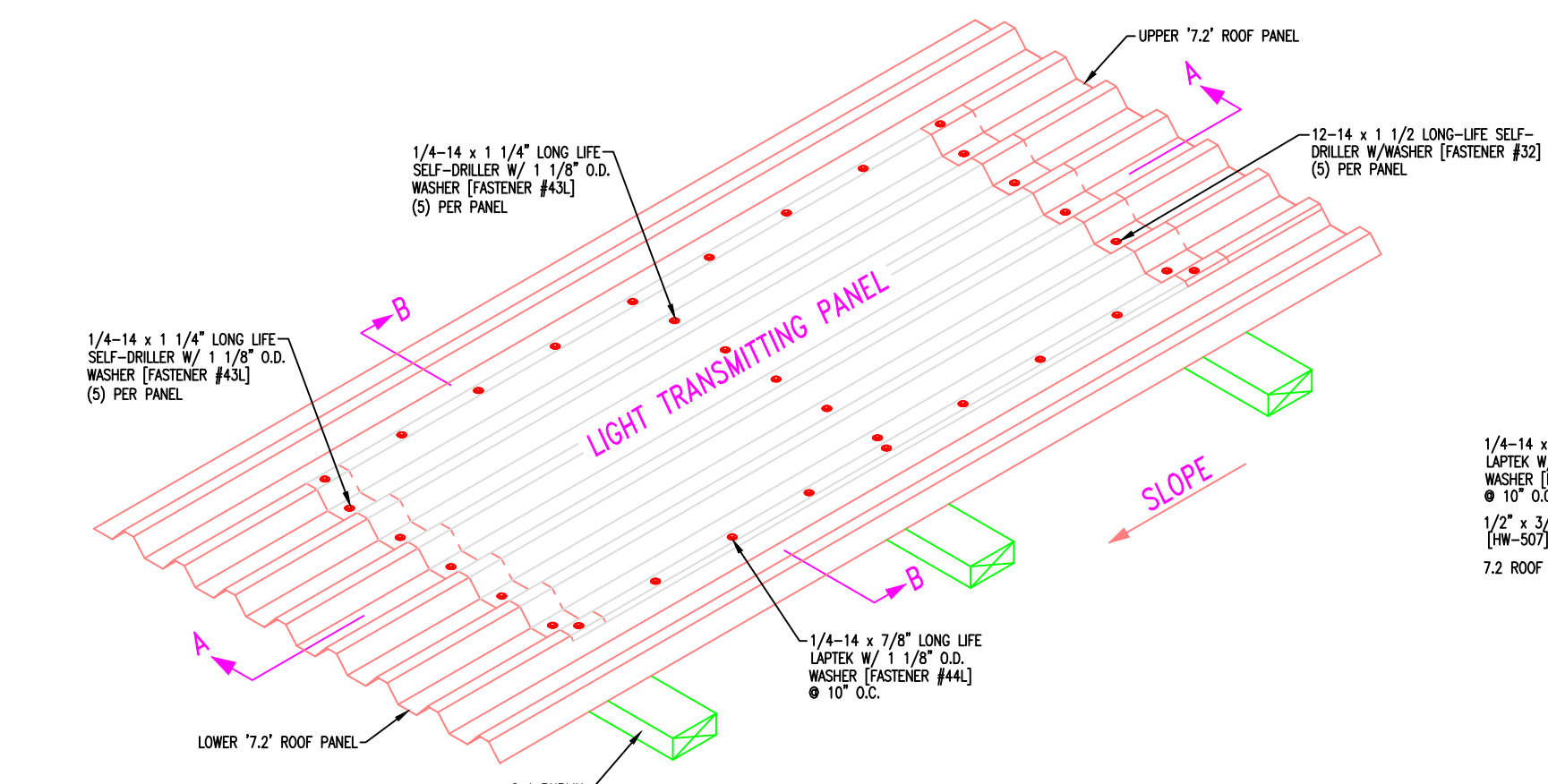
1 7.2 FASTENER SPACING (TYPICAL)
3 NOT TO SCALE



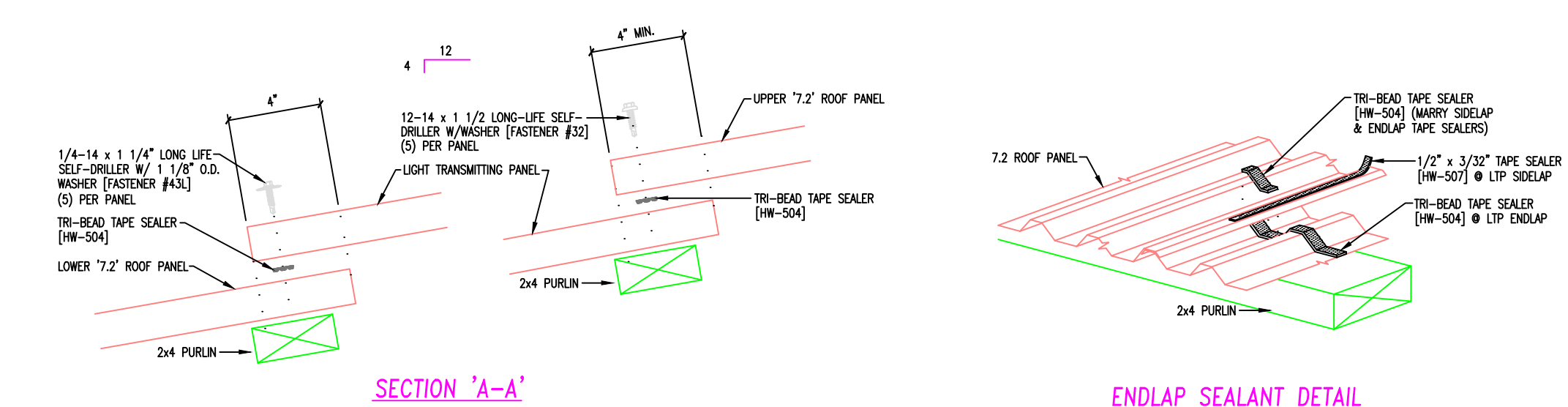
2 CUSTOM TRANSITION
3 NOT TO SCALE



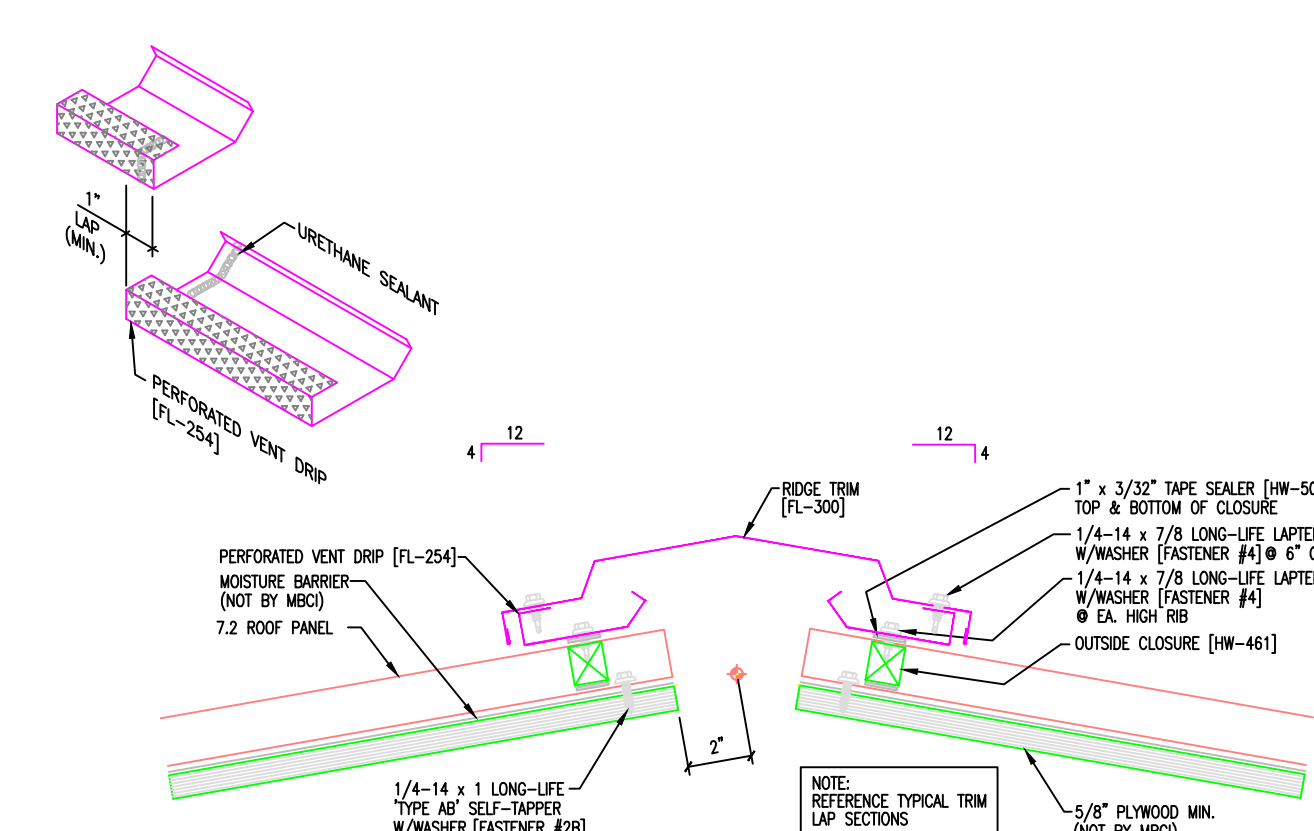
3 EAVE DETAILS
3 NOT TO SCALE



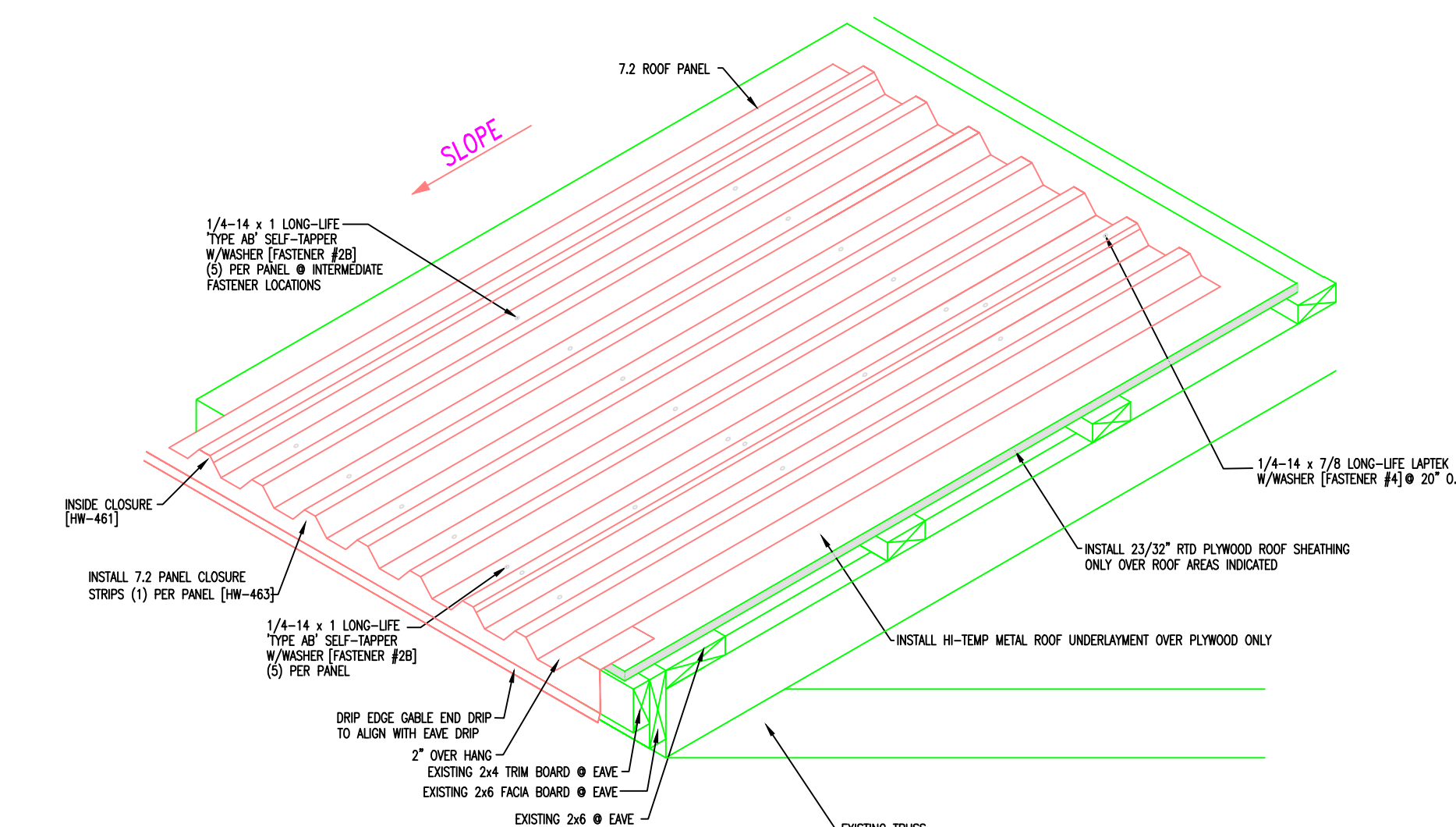
5 SECTION 'B-B'
LIGHT TRANSMITTING PANEL INSTALLATION



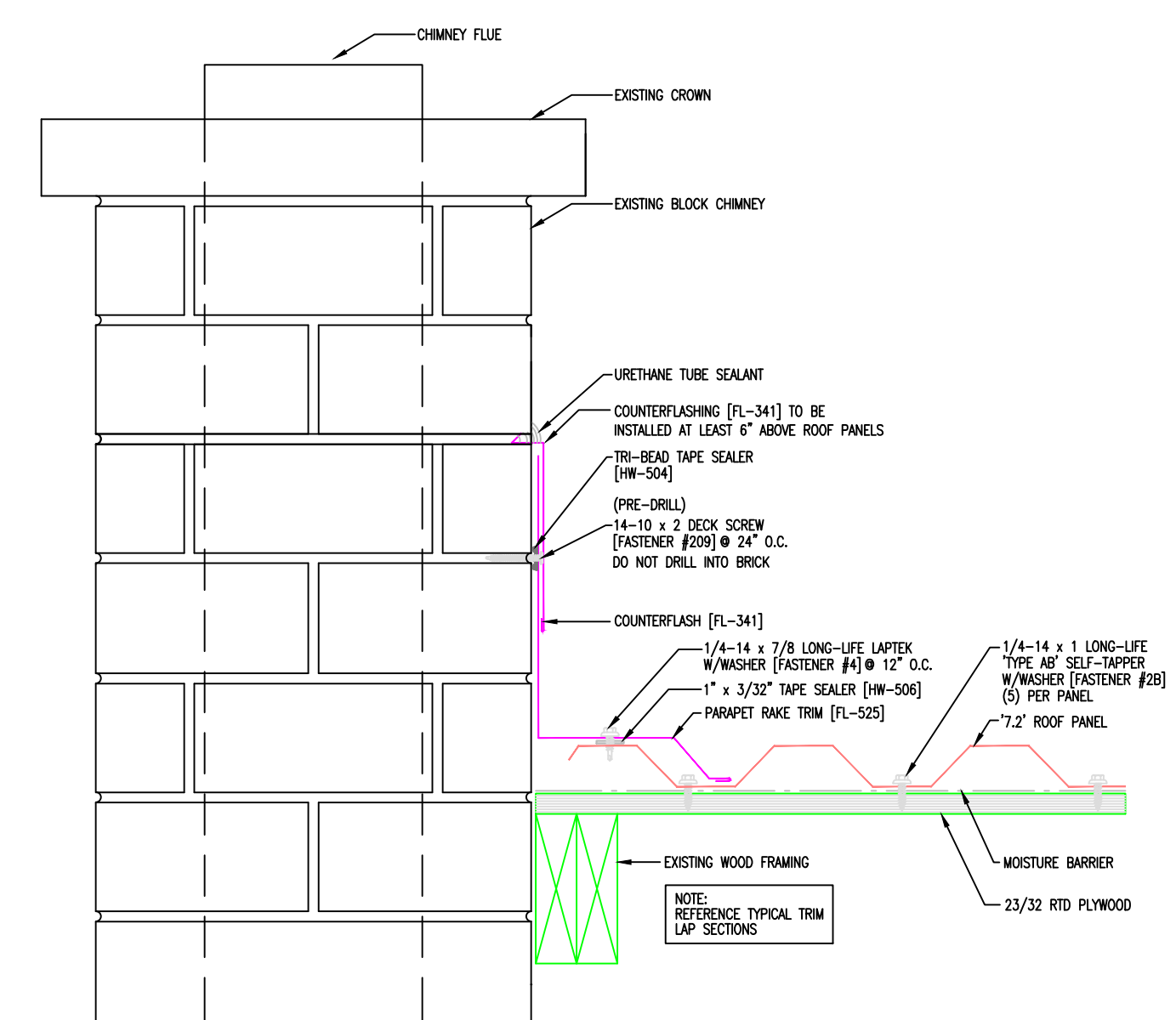
6 SECTION 'A-A'
ENDPLATE SEALANT DETAIL



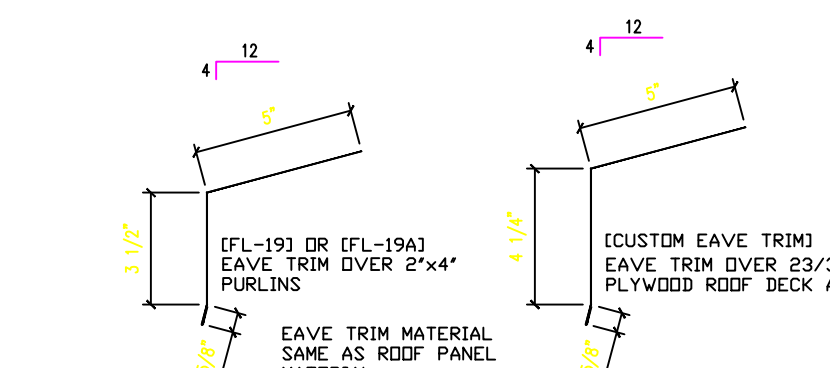
7 RIDGE VENT DETAIL
3 NOT TO SCALE



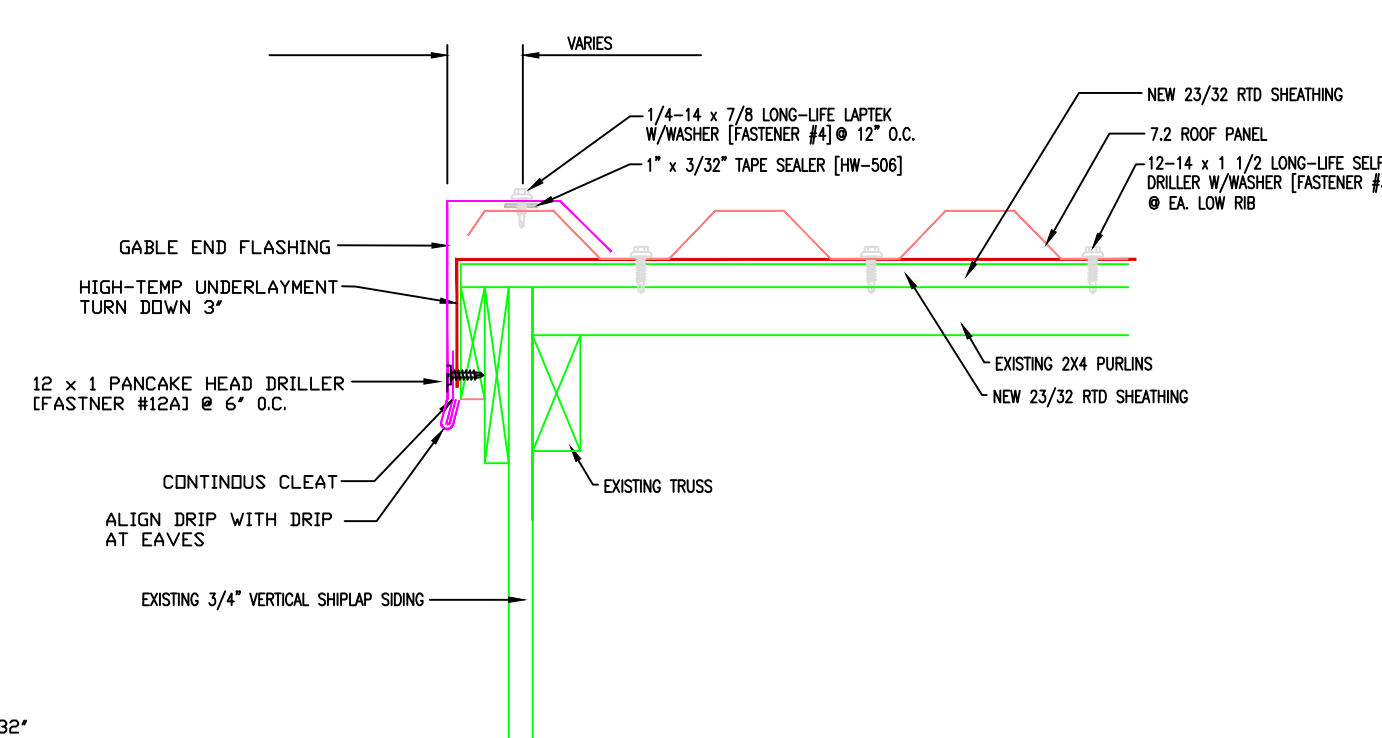
8 EAVE DETAILS
3 NOT TO SCALE



9 CHIMNEY FLASHING DETAILS
3 NOT TO SCALE



10 EAVE TRIM DETAIL
3 NOT TO SCALE



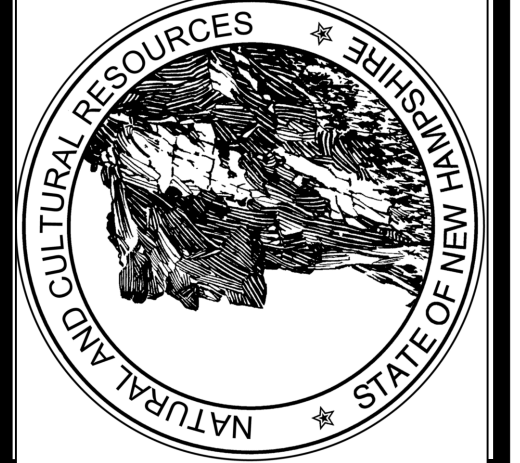
11 GABLE END TRIM DETAIL
3 NOT TO SCALE

NOTES:
1. STRIP AND REMOVE ALL ROOFING MATERIALS.
2. INSPECT AND REPAIR WOOD PURLINS.
3. INSTALL RTD SHEATHING IN AREAS INDICATED.
4. INSTALL HI-TEMP METAL ROOF UNDERLAYMENT OVER SHEATHING.
5. INSTALL LIGHT TRANSMITTING PANELS IN AREAS INDICATED.
6. INSPECT & REPAIR CHIMNEY IF NECESSARY.
7. INSTALL NEW METAL ROOF PANELS.

METAL ROOF ROOF REPLACEMENT
POLE BARN S/NHQ02 & NHQ03

APPROVED BY: CAP-221B
DATE: JAN 27, 2023

SCALE: ED MUSSEY



STATE OF NEW HAMPSHIRE
DEPARTMENT OF NATURAL AND CULTURAL RESOURCES
PLANNING AND DEVELOPMENT SECTION

NORTH COUNTRY RESOURCES CENTER
LANCASTER, NEW HAMPSHIRE