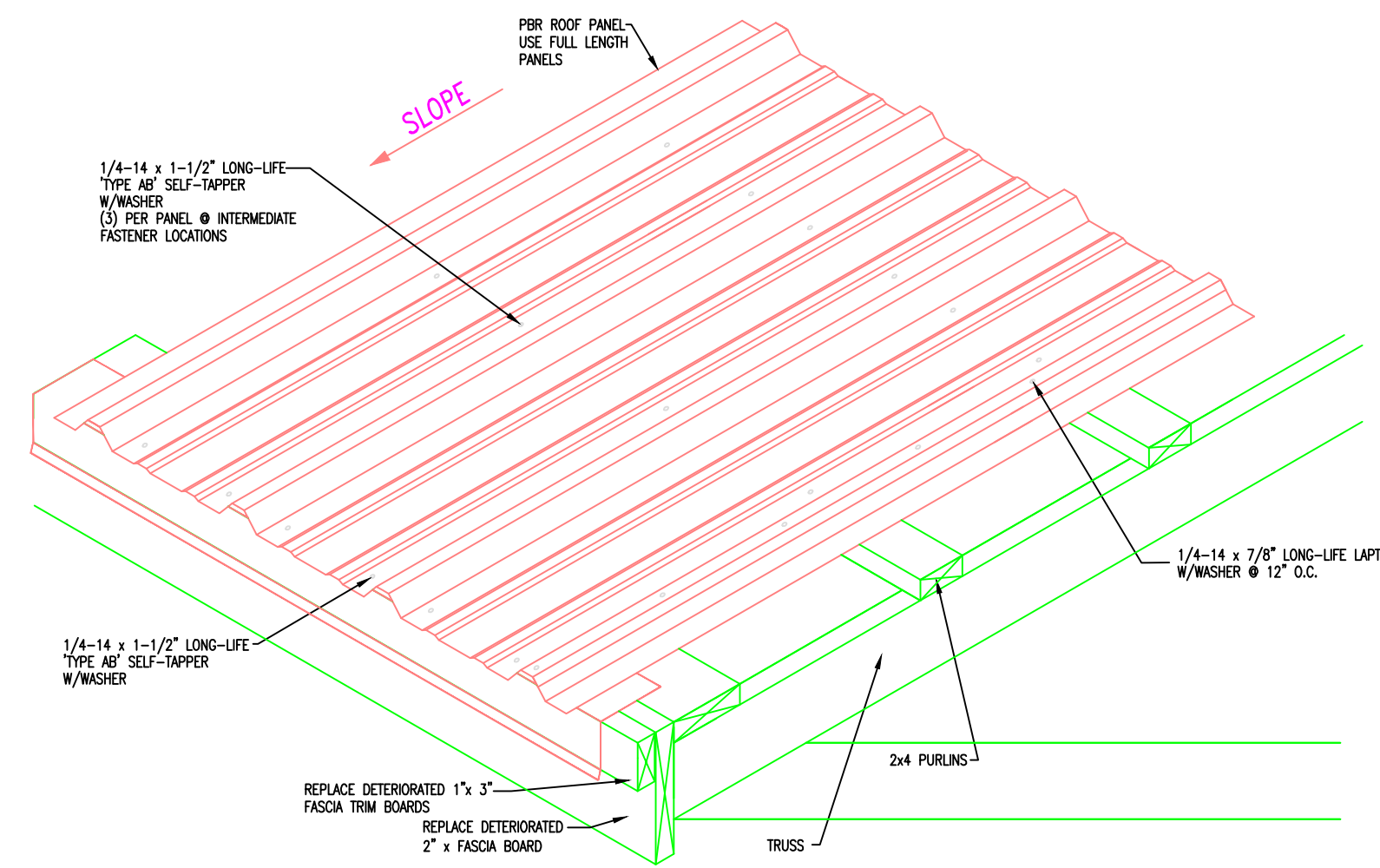
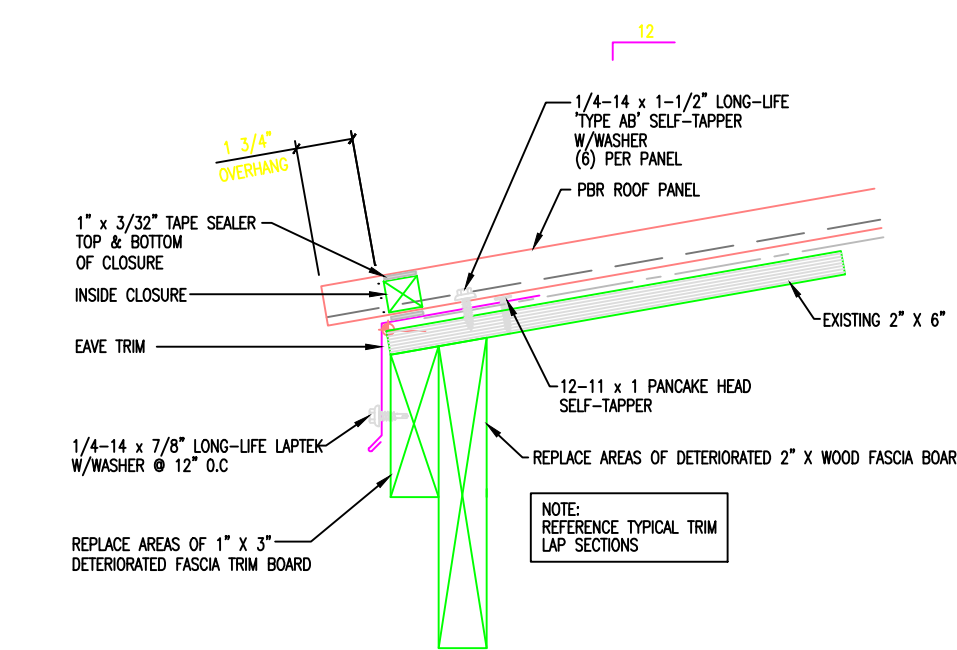
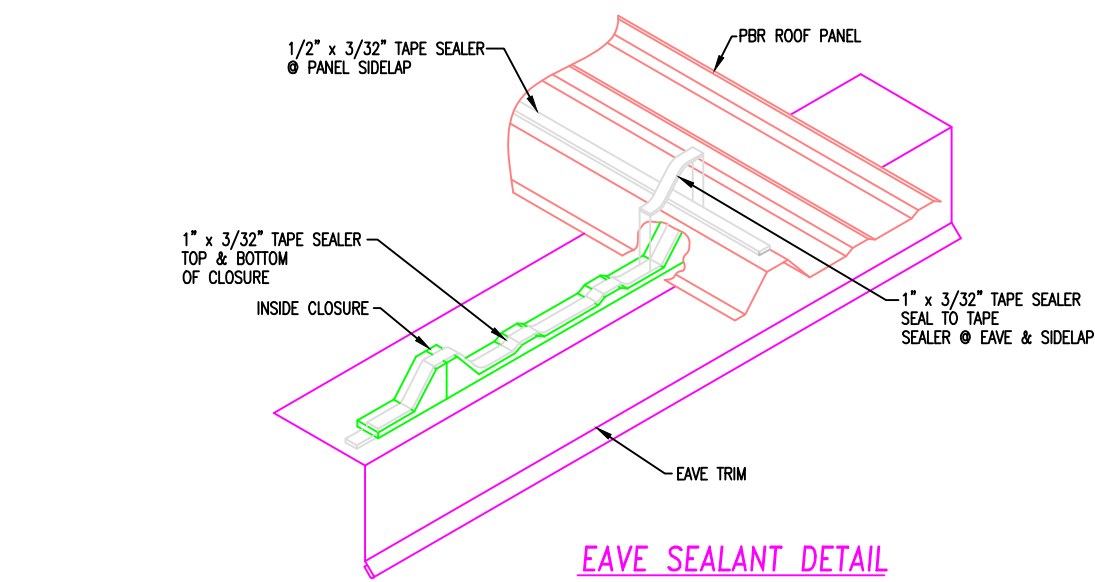


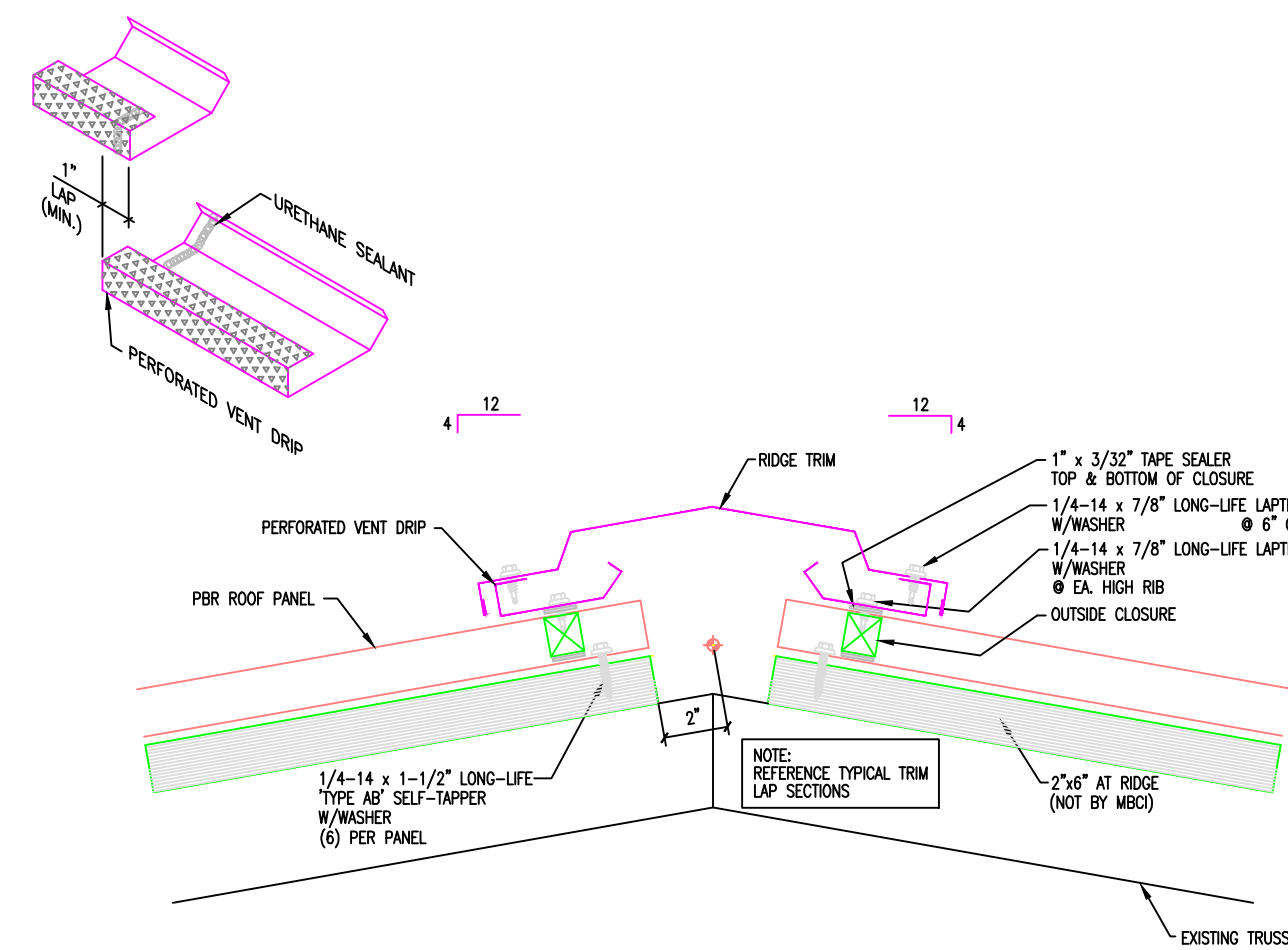
1 PBR PANEL FASTNER SPACING OVER WOOD PURLINS (TYPICAL)
2 NOT TO SCALE



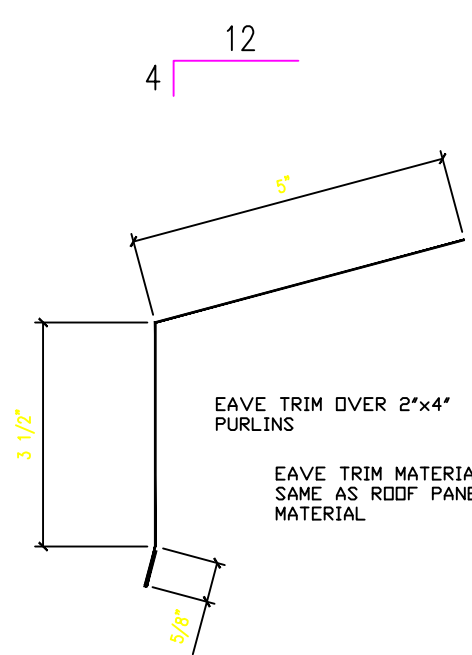
2 EAVE DETAILS
2 NOT TO SCALE



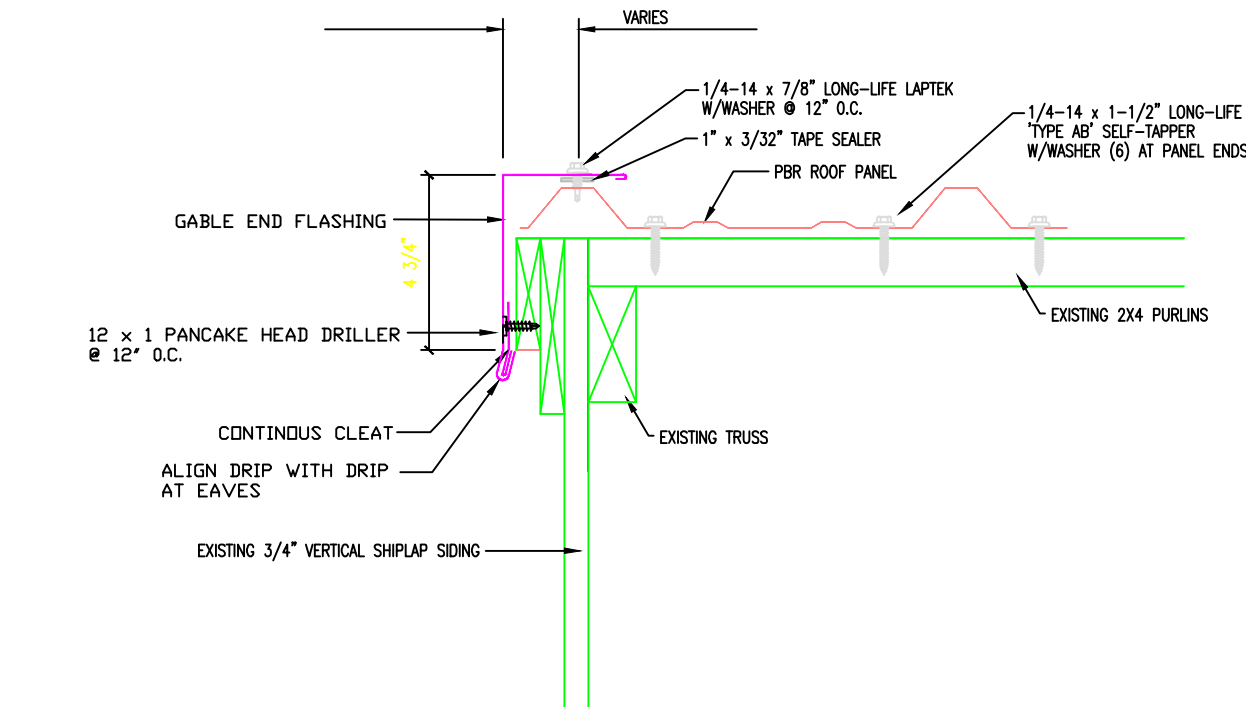
3 EAVE CLOSURE DETAIL
2 NOT TO SCALE



4 RIDGE VENT DETAIL
2 NOT TO SCALE



5 EAVE TRIM DETAIL
2 NOT TO SCALE



6 GABLE END TRIM DETAIL
2 NOT TO SCALE

NOTES:
1. STRIP AND REMOVE ALL ROOFING MATERIALS.
2. INSPECT AND REPAIR WOOD PURLINS.
3. INSTALL NEW METAL ROOF PANELS.

METAL ROOF ROOF REPLACEMENT
POLE BARN NH903

DATE: AUG 2, 2023

PROJECT # CAP-2404

APPROVED BY: EDWARD MUSSEY

DRAWN BY: EDWARD MUSSEY



STATE OF NEW HAMPSHIRE
DEPARTMENT OF NATURAL AND CULTURAL RESOURCES
DESIGN DEVELOPMENT & MAINTENANCE SECTION

NORTH COUNTRY RESOURCES CENTER
LANCASTER, NEW HAMPSHIRE

SHEET

2

of 2